

THIS PRODUCT MANUFACTURED WITH LEAD-FREE PROCESSING

DESIGNED & DIMENSIONED IN MILLIMETERS [INCHES]

BNC7T-J-P-XX-ST-TH1

GENDER
-J: JACK
TYPE
-P: PCB
TERMINATION
-TH1: THROUGH HOLE
ORIENTATION
-ST: STRAIGHT

PLATING SPECIFICATION
-HN: HEAVY GOLD/NICKEL (SEE NOTES 7 & 8)
(BNC7T-J-P-N-ST-TH1-BDY)
(BNC7T-J-P-ST-TH1-INS)
(BNC7T-J-P-H-ST-TH1-SKT)

-GN: GOLD/NICKEL (SEE NOTES 7 & 8)
(BNC7T-J-P-N-ST-TH1-BDY)
(BNC7T-J-P-ST-TH1-INS)
(BNC7T-J-P-G-ST-TH1-SKT)

*-MN: GOLD/NICKEL (SEE NOTES 7 & 8)
(BNC7T-J-P-N-ST-TH1-BDY)
(BNC7T-J-P-ST-TH1-INS)
(BNC7T-J-P-G-ST-TH1-SKT)

*= FOR EXISTING CUSTOMERS ONLY

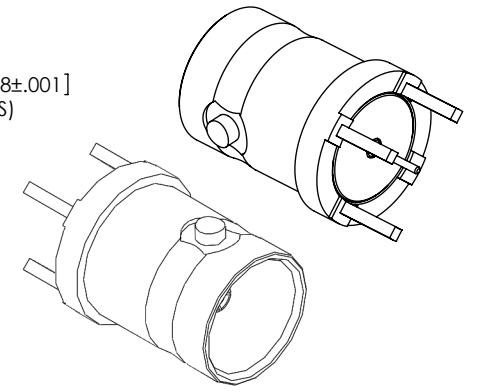
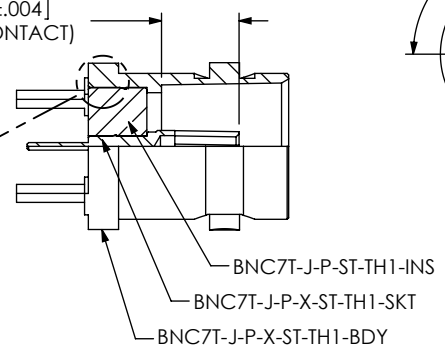
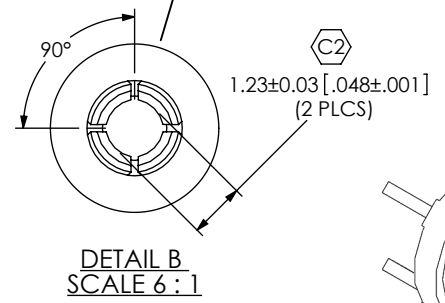
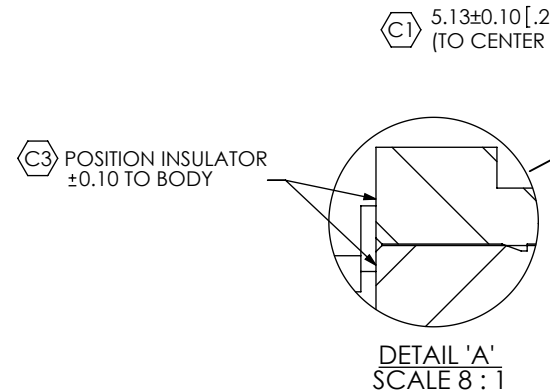
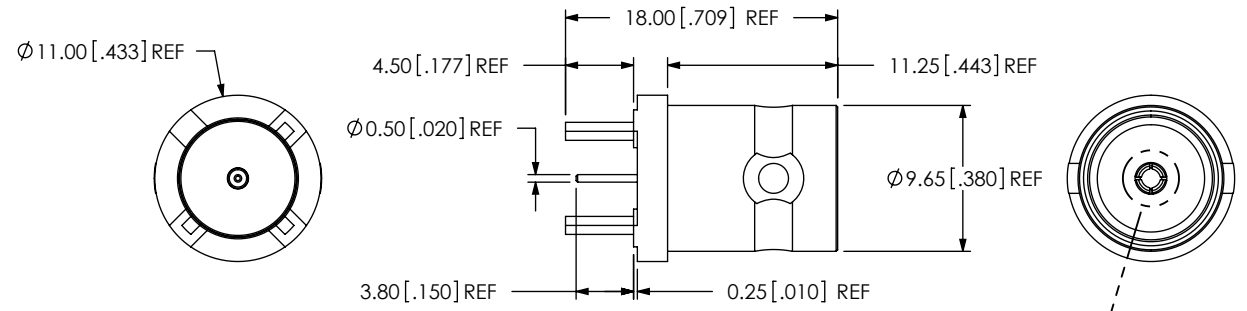
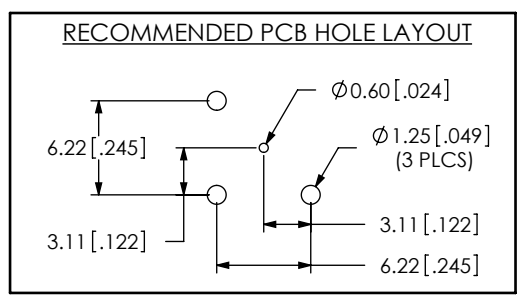



FIG 1
BNC7T-J-P-HN-ST-TH1 SHOWN



- NOTES:
1. C REPRESENTS A CRITICAL DIMENSION.
 2. PUSHOUT FORCE FOR CENTER CONTACT: 26.69 N [6.0 LB] MIN.
 3. NOTE DELETED.
 4. SEE CO-HD-WI-3040-M RF PACKAGING FOR PACKAGING INSTRUCTIONS.
 5. RoHS COMPLIANT.
 6. SEE PLATING STANDARD CO-PL-FRM-7001-M.
 7. COMPONENT PLATING DESIGNATIONS:
-H: 0.000030" MIN. GOLD OVER 0.000050" MIN. NICKEL.
-G: 0.000010" MIN. GOLD OVER 0.000050" MIN. NICKEL.
-N: 0.000100" MIN. NICKEL.
 8. ASSEMBLY PLATING DESIGNATIONS:
-HN: (CENTER CONTACT)-H
(OUTER CONTACT) -N
(REMAINING METAL PARTS) -N
-GN, -MN: (CENTER CONTACT)-G
(OUTER CONTACT) -N
(REMAINING METAL PARTS) -N
 9. NOTE DELETED.

F:\DWG\MISC\MKTG\BNC7T-J-P-XX-ST-TH1-MKT.SLDDRW

| | | |
|---------------------------------------------------------------------------------------------------------------------------------------------------------------------------------------|-----------------------------------------------------------------------------------------------------------------------------------------------------------------------------------------------------------------------------------------------------------------------------------------------------------------------------|-------------------------------------------------------------------------------------------------------------------------------------------------------------------------------------------------------------------|
| <p>UNLESS OTHERWISE SPECIFIED DIMENSIONS ARE IN MILLIMETERS [INCHES] TOLERANCES ARE: DECIMALS ANGLES .X: ±0.3 [.01] 2° .XX: ±0.13 [.005] .XXX: ±0.051 [.0020]</p> | <p>PROPRIETARY NOTE THIS DOCUMENT CONTAINS INFORMATION CONFIDENTIAL AND PROPRIETARY TO SAMTEC, INC. AND SHALL NOT BE REPRODUCED OR TRANSFERRED TO OTHER DOCUMENTS OR DISCLOSED TO OTHERS OR USED FOR ANY PURPOSE OTHER THAN THAT WHICH IT WAS OBTAINED WITHOUT THE EXPRESSED WRITTEN CONSENT OF SAMTEC, INC.</p> |  520 PARK EAST BLVD, NEW ALBANY, IN 47150 PHONE: 812-944-6733 FAX: 812-948-5047 e-Mail: info@SAMTEC.com code: 55322 |
| <p>MATERIAL: BODY: BRASS CONTACT: COPPER ALLOY DIELECTRIC: PTFE</p> | <p>DO NOT SCALE DRAWING SHEET SCALE: 2:1</p> | <p>DESCRIPTION: TRUE 75 OHM BNC STRAIGHT JACK FOR PCB DWG. NO. BNC7T-J-P-XX-ST-TH1 BY: G. HERMAN 09-13-2010 SHEET 1 OF 1</p> |