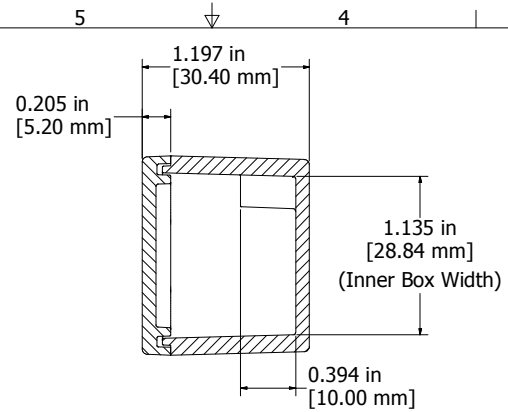
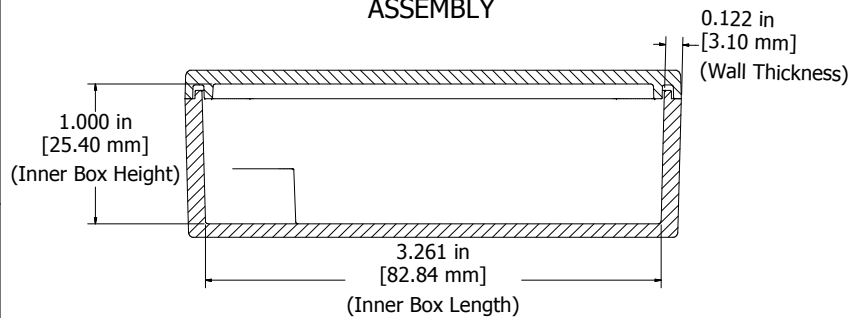
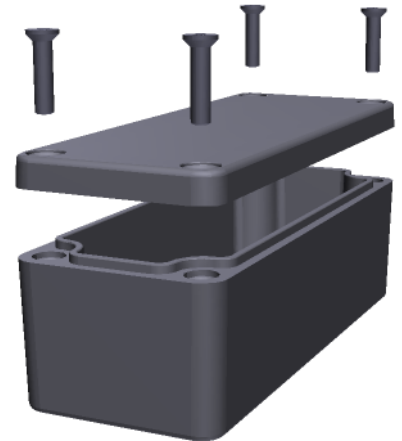


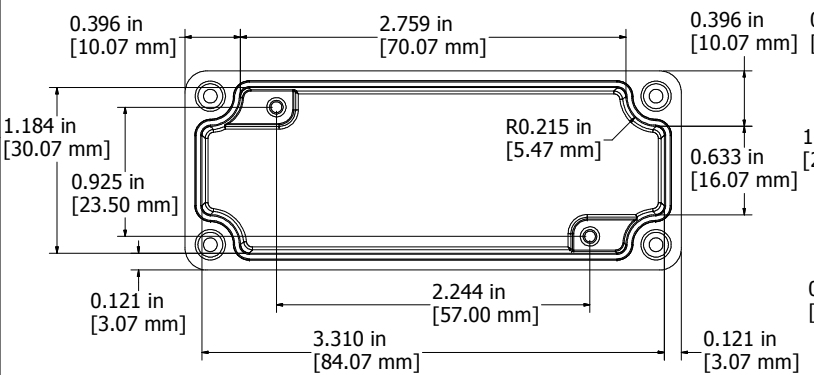
ASSEMBLY



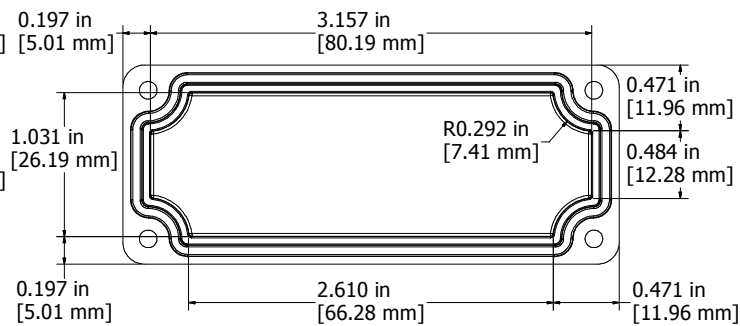
SECTION F-F  
End View of Assembly



SECTION E-E  
Side View of Assembly



Top View Looking Inside Box



View Looking Inside Lid

Enclosures can be Factory Modified ( Milling, Drilling, Printing etc. )  
 Contact Factory [mjm@hammondmg.com](mailto:mjm@hammondmg.com) for quotes  
 Solid models of this enclosure available in STEP or IGES.

NOTES	
Purchased assembly includes enclosure, M3x15 lid screws	
Gasket - Pre-formed Silicone Rubber	
Cover screws should be torqued to 5-7.5 lbf.in (50-75 cN.m)	

1550Z102	
PART NUMBERS	
Unfinished	1550Z102
Black Textured Powder Paint - RAL 9011	1550Z102BK

