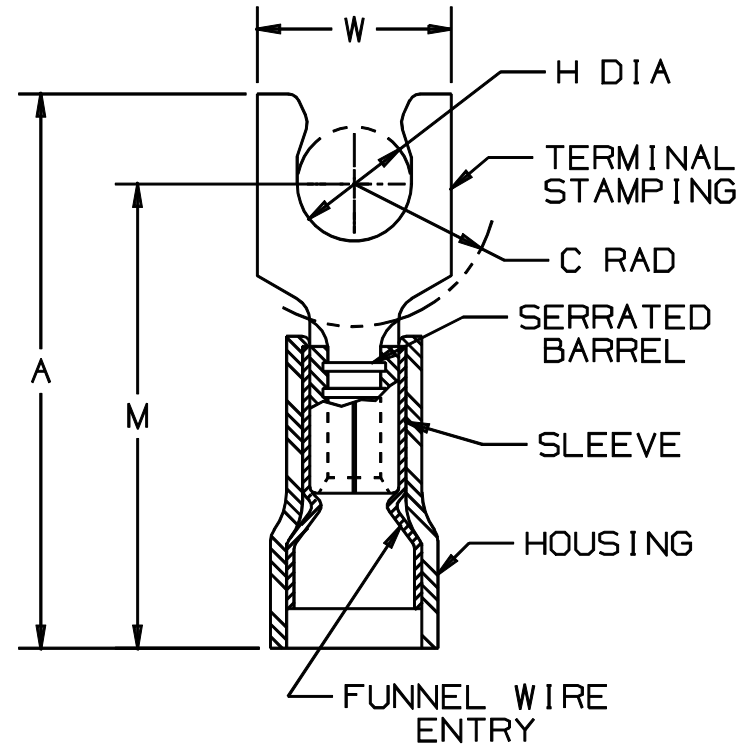


THIS COPY IS PROVIDED ON A RESTRICTED BASIS AND IS NOT TO BE USED IN ANY WAY DETRIMENTAL TO THE INTERESTS OF PANDUIT CORP.

PART NUMBER		STUD SIZE	DIMENSIONS in.				
PREFIX	PK		A $\pm .03$ (.8)	W $\pm .01$ (.3)	C $\pm .015$ (.4)	M $\pm .03$ (.8)	H $\pm .010$ (.25)
PNF18-5SLF	-M	#5	.75 (19.0)	.26 (6.6)	.19 (4.7)	.63 (16.1)	.124 (3.15)
PNF18-6SLF	-M	#6	.75 (19.0)	.27 (6.9)	.19 (4.7)	.63 (16.1)	.136 (3.45)
PNF18-8SLF	-M	#8	.80 (20.4)	.29 (7.4)	.23 (5.8)	.68 (17.2)	.162 (4.11)
PNF18-10SLF	-M	#10	.81 (20.7)	.33 (8.3)	.23 (5.8)	.68 (17.2)	.188 (4.78)

NOTES:

- USED FOR:
 - 600V MAX VOLTAGE RATING
(1000V. MAX. IN SIGNS, FIXTURES & LUMINARIES)
 - 221°F (105°C) MAX TEMP RATING
 - 22-18 AWG STRANDED COPPER WIRE
- INSTALLATION TOOLS:
 - UL LISTED AND CSA CERTIFIED FOR: CT-510
 - PANDUIT APPROVED: CT-400, CT-500, CT-1550 & CT-1551.
- WIRE STRIP LENGTH: $7/32^{+1/32}$ ($5.6^{+.8}$)
 -0
- MAX WIRE INSULATION DIA: .145 (3.68)
MIN WIRE INSULATION DIA: .080 (2.03)
- MATERIAL:
 - STAMPING: .03 (.8) TIN PLATED COPPER
 - HOUSING : RED NYLON
 - SLEEVE : TIN PLATED BRASS
- PACKAGING:
 - BULK ONLY: -M = 1000
- DIMENSIONS IN BRACKETS ARE IN MILLIMETERS OR mm²




LISTED
587H
E52164



CERTIFIED
LR31212

A41251_05

05	1/01	KMD		CAD FILE SPEC. WAS N41251AA_PCD_04				 TINLEY PARK, ILLINOIS #22-18 BARREL FUNNELED ENTRY NYLON INSULATED SHORT LOCKING FORK, .145 (3.68) MAX WIRE INSUL. DIA.
04	12/96	JAMB		UPDATED & ADDED TO NOTES, "MIN. WIRE INSUL. DIA."				
03	9/95	MS	RLS	UPDATED NOTES AND DIMENSIONS	05383			
02	6/92	BK	RS	UPDATED	01064	JMO	LA	
REV	DATE	BY	CHK	DESCRIPTION	ECN	PM	APP	DRAWN BY: DAW Ck'd: RLS SCALE: NONE DRAWING NO.: A41251