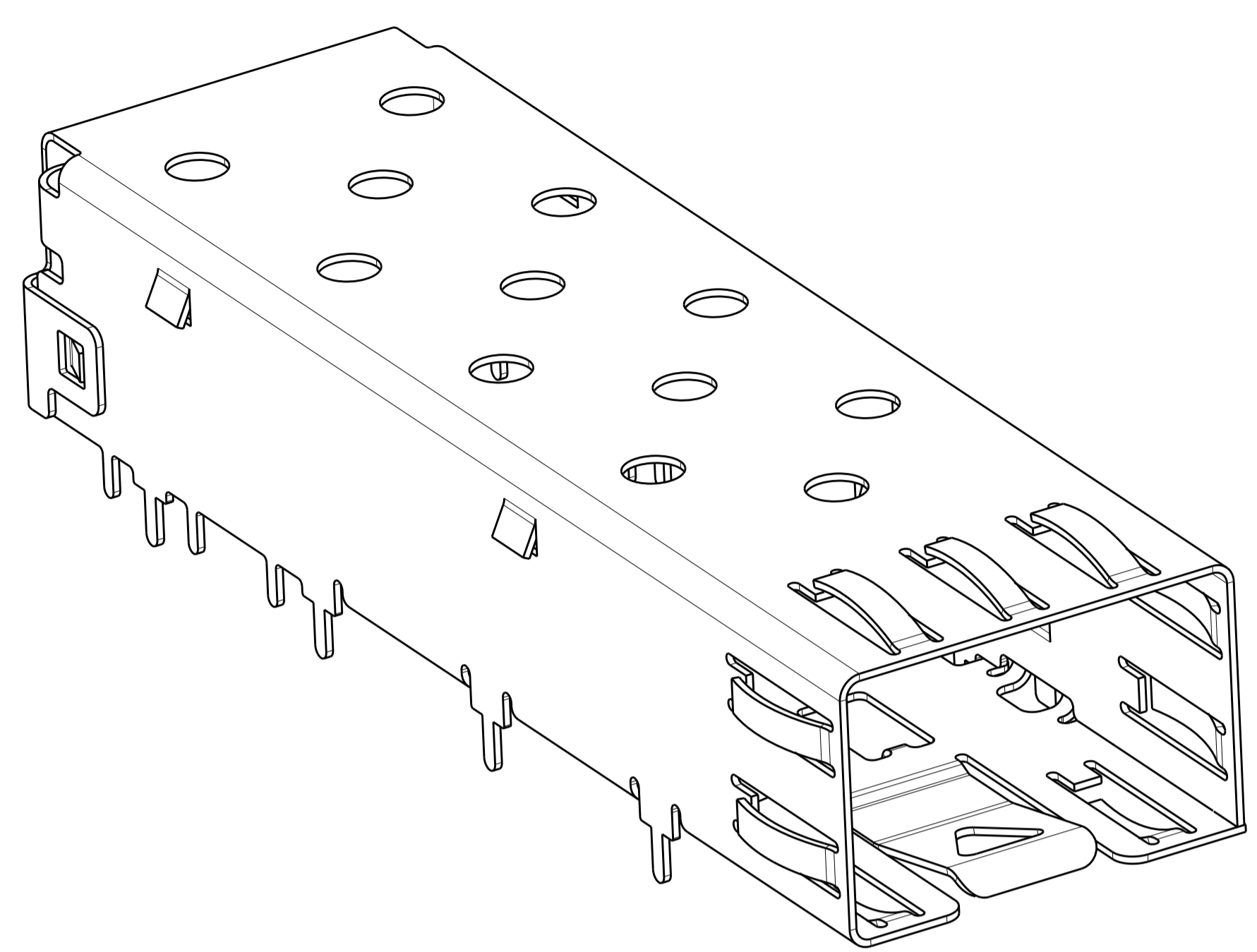
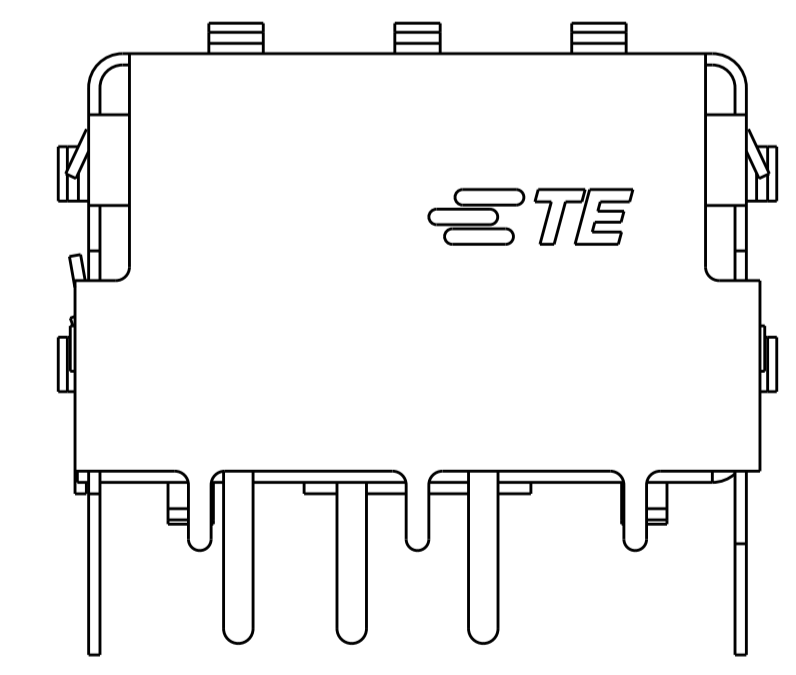
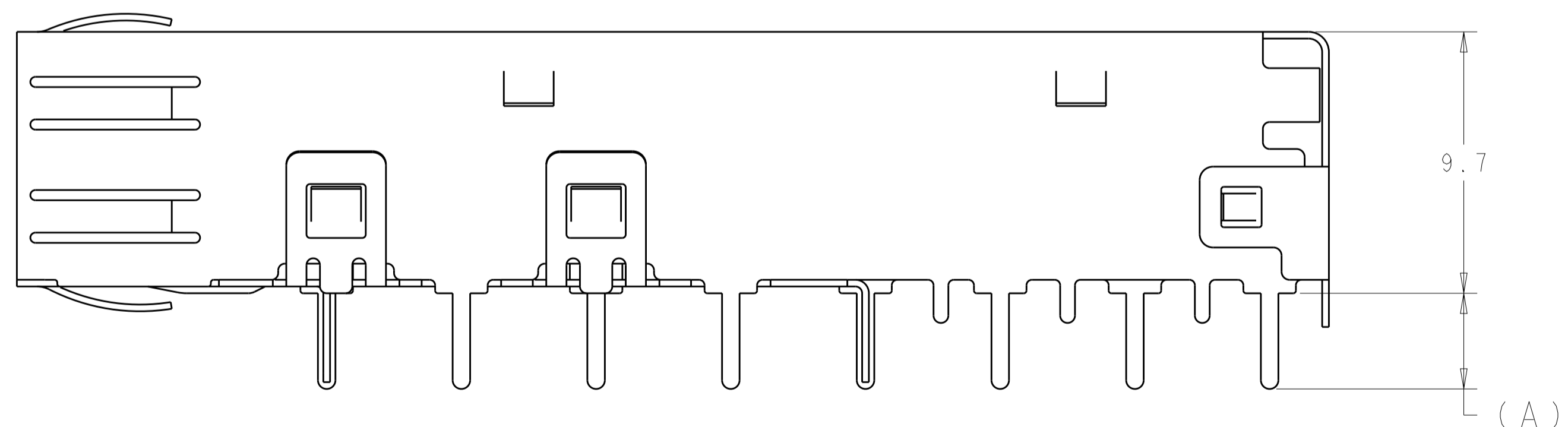
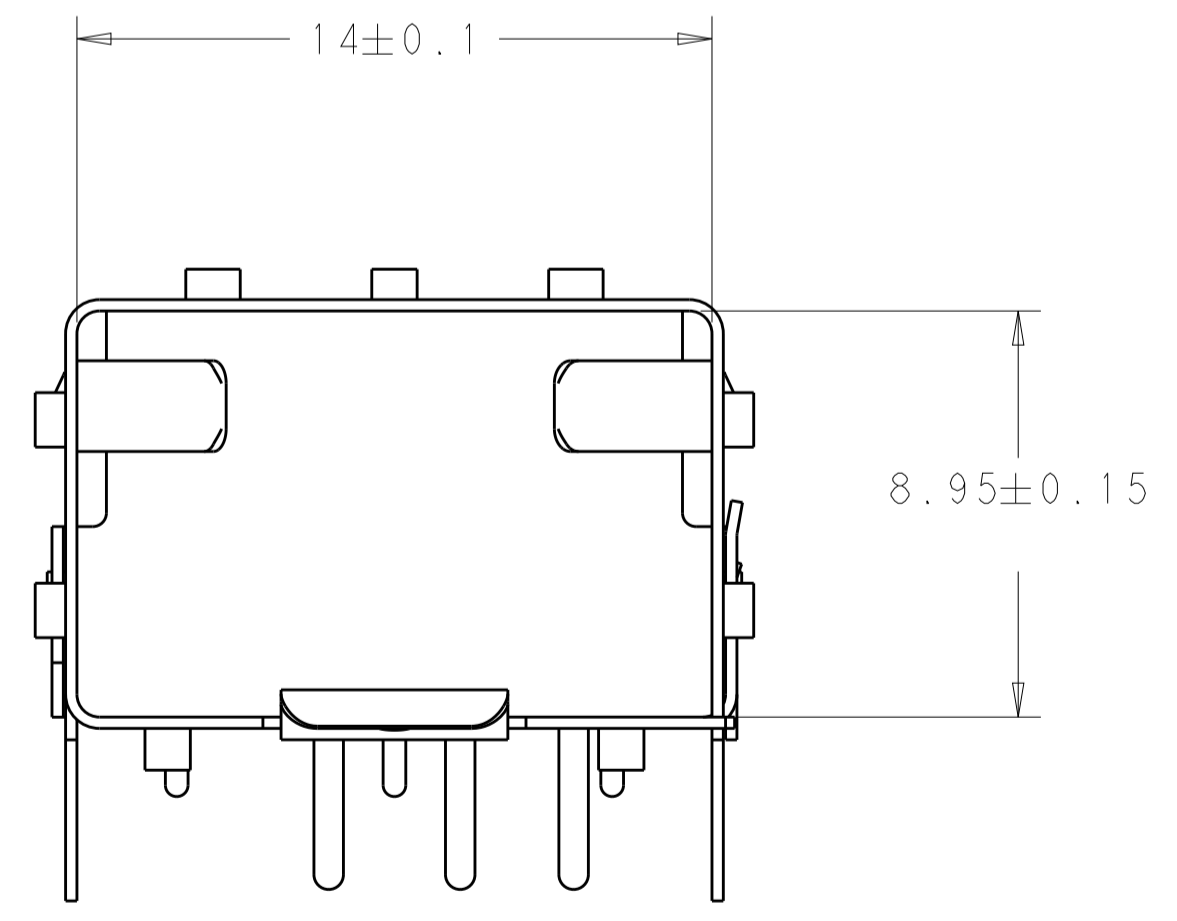
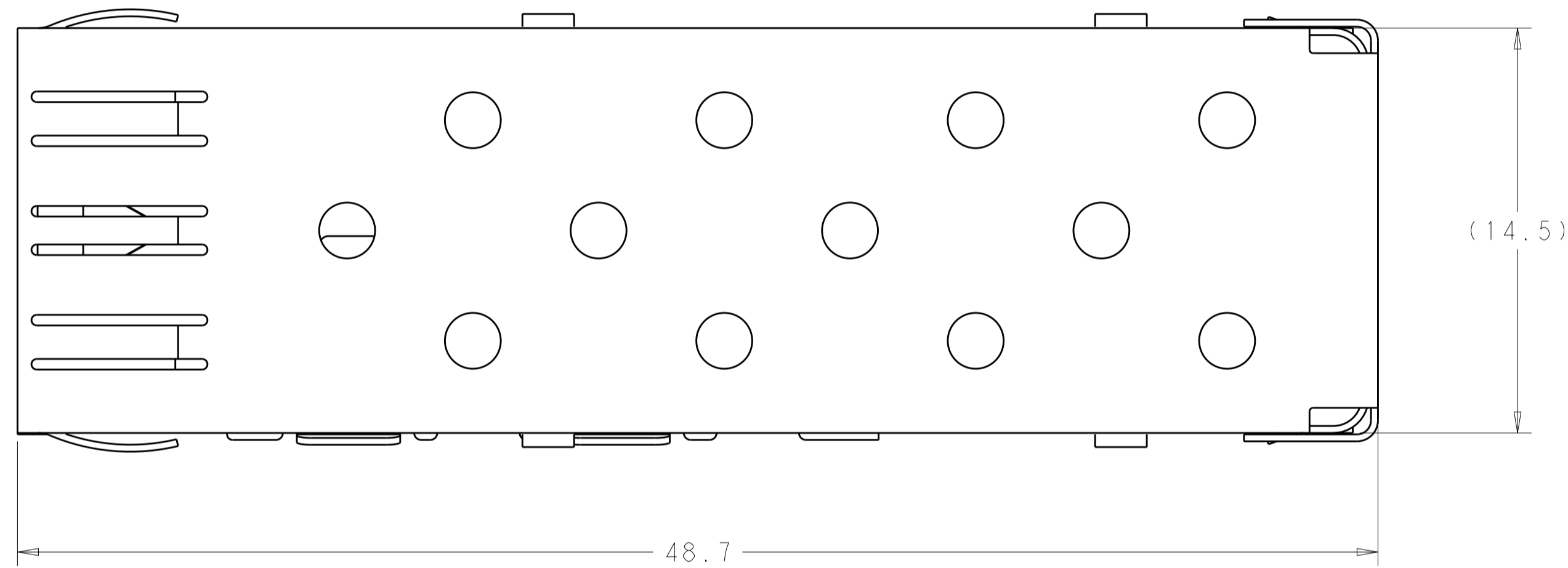


LOC	DIST	REVISIONS					
GP	00	P	LTN	DESCRIPTION	DATE	DMN	APVD
		A		INITIAL RELEASE	21MAY2014	CW	SH
		A1		ECR-14-015540	10OCT2014	CW	SH
		A2		ECR-14-018430		CW	SH



ISOMETRIC VIEW
SCALE 6:1

- △ MATERIAL: 0.25mm THICK STAINLESS STEEL.
- △ FINISH: 0.00125mm Min. NICKEL OVER ALL , 0.002mm Min. TIN DIPPED ON SOLDER TABS, NON PLATED EDGES PERMISSIBLE.
- 3. MATES WITH SFP MSA COMPLIANT TRANSCEIVERS.
- △ PADS AND VIAS CHASSIS GROUND.
- △ DATUM AND BASIC DIMENSION ESTABLISHED BY CUSTOMER.
- 6. MINIMUM PC BOARD THICKNESS:
SINGLE SIDED = 1.50 mm
- △ REFERENCE APPLICATION SPEC. 114-13120, HOLE A, FOR RECOMMENDED DRILL HOLE DIAMETER AND PLATING THICKNESS.
- △ REFERENCE APPLICATION SPEC. 114-13120, HOLE C, FOR RECOMMENDED DRILL HOLE DIAMETER AND PLATING THICKNESS.
- △ ESD PROTECTION PACKAGE.

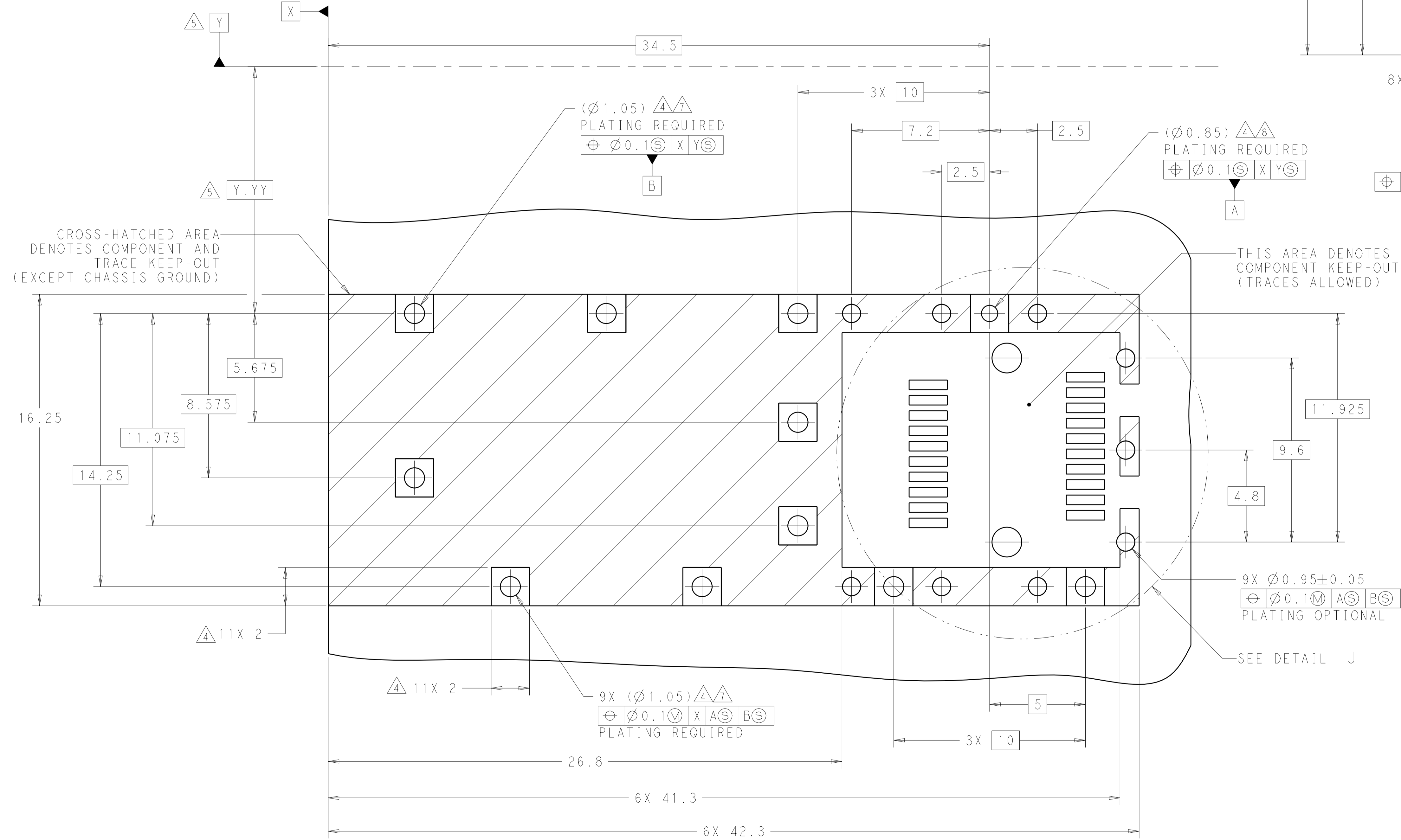
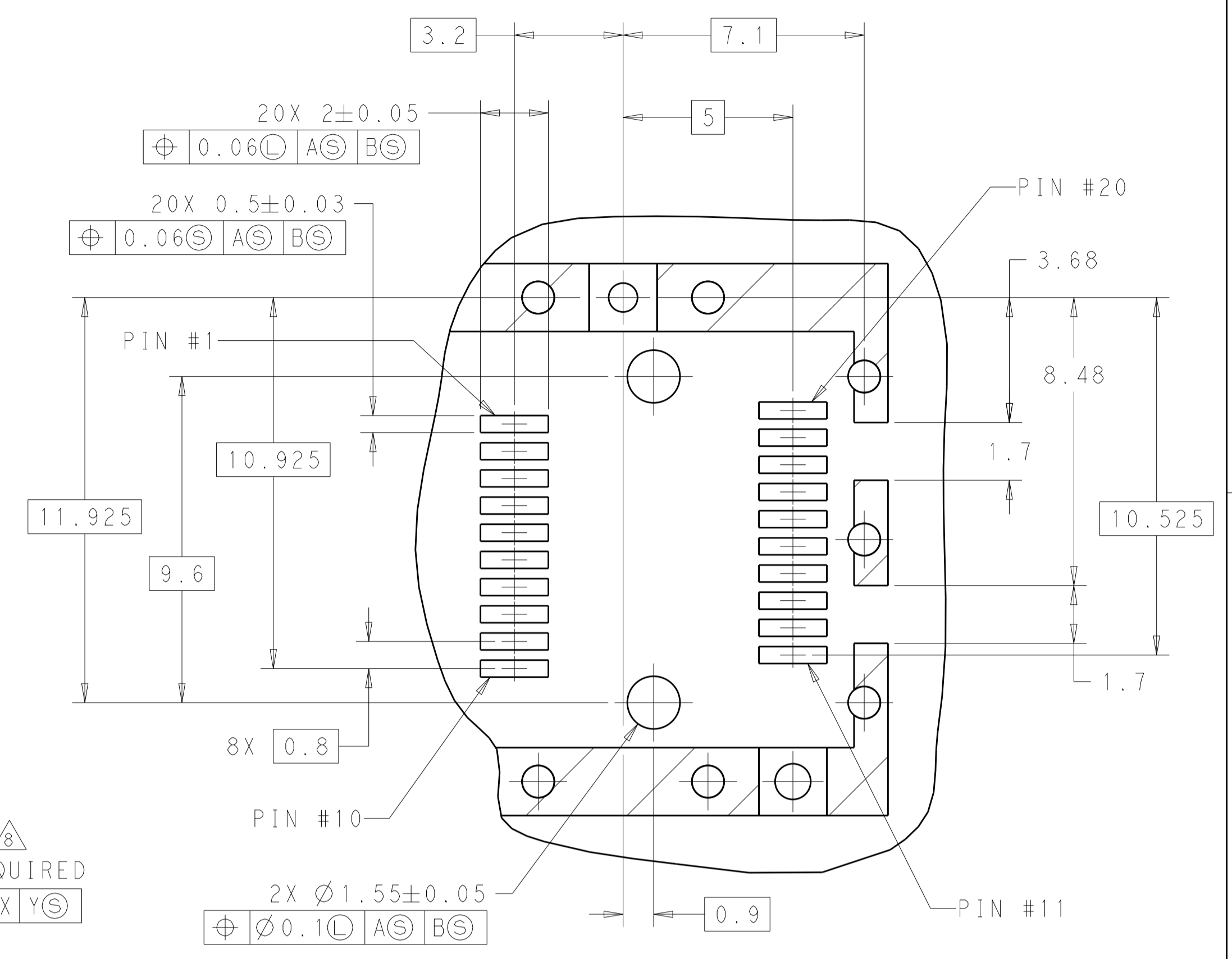
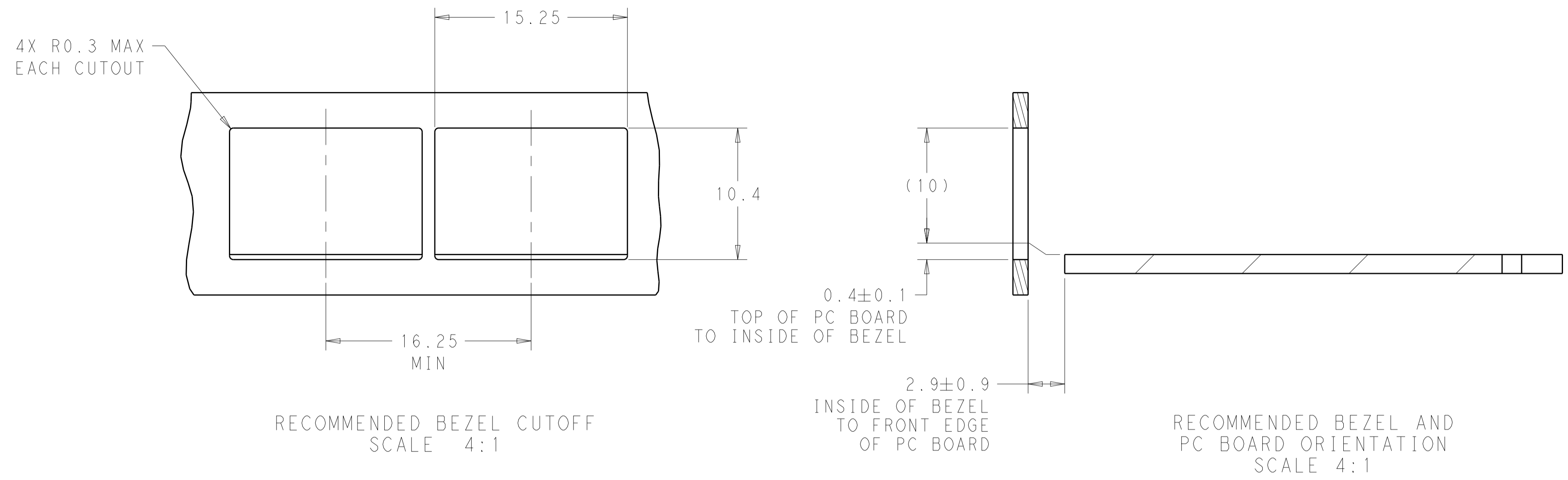


△ REEL	1.80	1-2227303-2
TRAY	1.80	2227303-3
REEL	1.80	2227303-2
TRAY	3.55	2227303-1
PACKAGING	A	PART NUMBER

THIS DRAWING IS A CONTROLLED DOCUMENT. DIMENSIONING AND TOLERANCING PER ASME Y14.5M-2009.		DMN C. VALENTINE CHK M. SCHMITT APVD M. SCHMITT	19OCT2012 19OCT2012 19OCT2012	TE Connectivity NAME SFP, 1X1 SINGLE PIECE CAGE, SOLDER PIN
DIMENSIONS: mm	TOLERANCES UNLESS OTHERWISE SPECIFIED: 0 PLC ±0.1 1 PLC ±0.1 2 PLC ±0.1 3 PLC ±0.1 4 PLC ±0.1 ANGLES ±°	PRODUCT SPEC 108-1950 APPLICATION SPEC 114-13120	RESTRICTED TO	
MATERIAL	FINISH	WEIGHT	SCALE 6:1	Customer Drawing
A100779C=2227303			SHEET 1 OF 3	REV A2

LOC	DIST	REV	DATE	BY	APPV
GP	00				

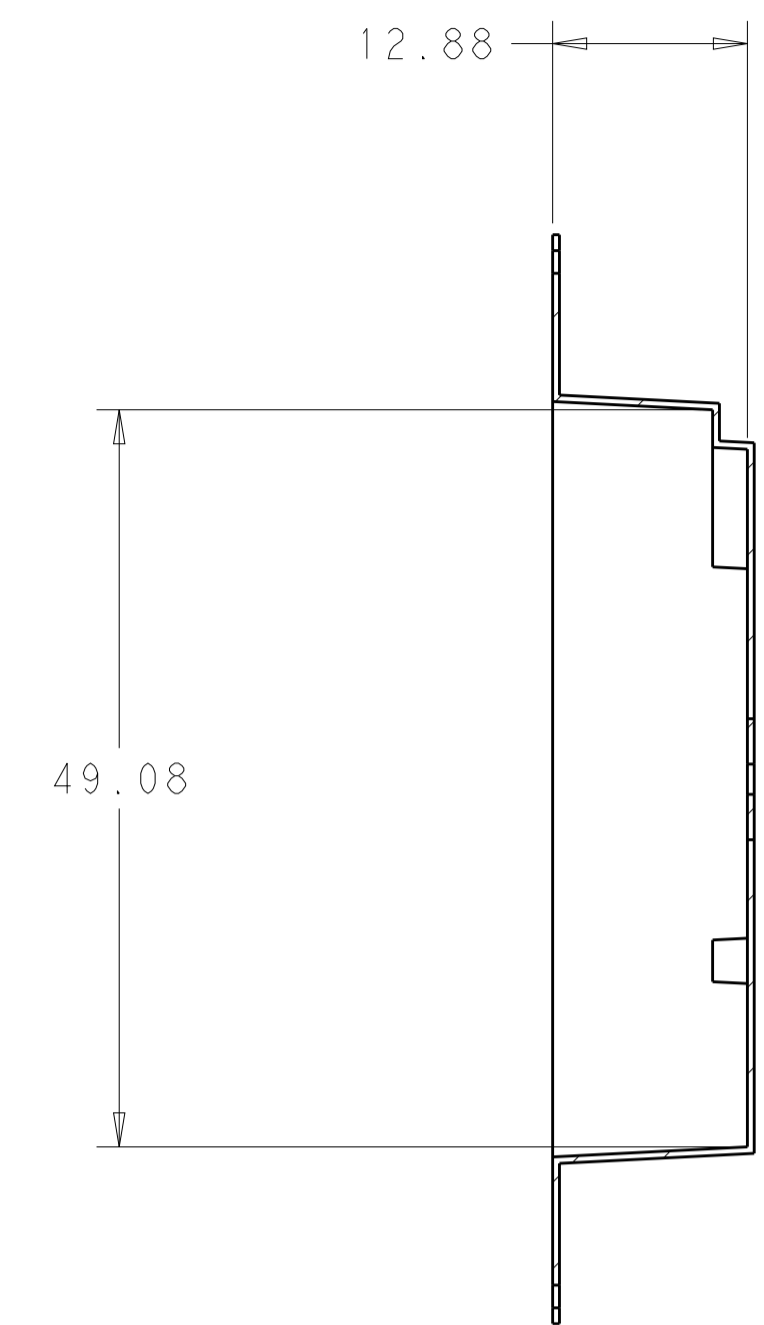
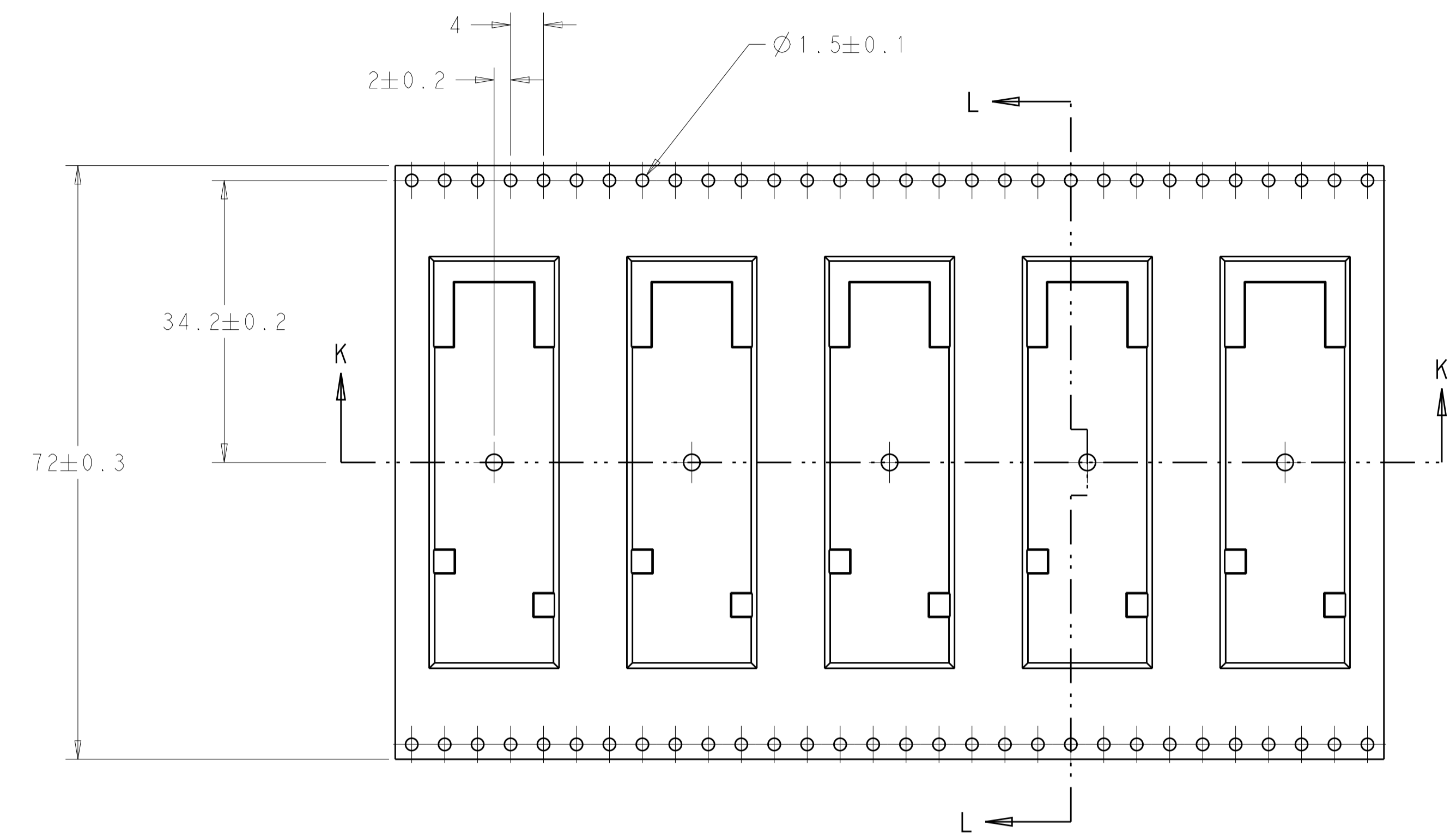
REVISIONS		DATE	BY	APPV
1	SEE SHEET 1			



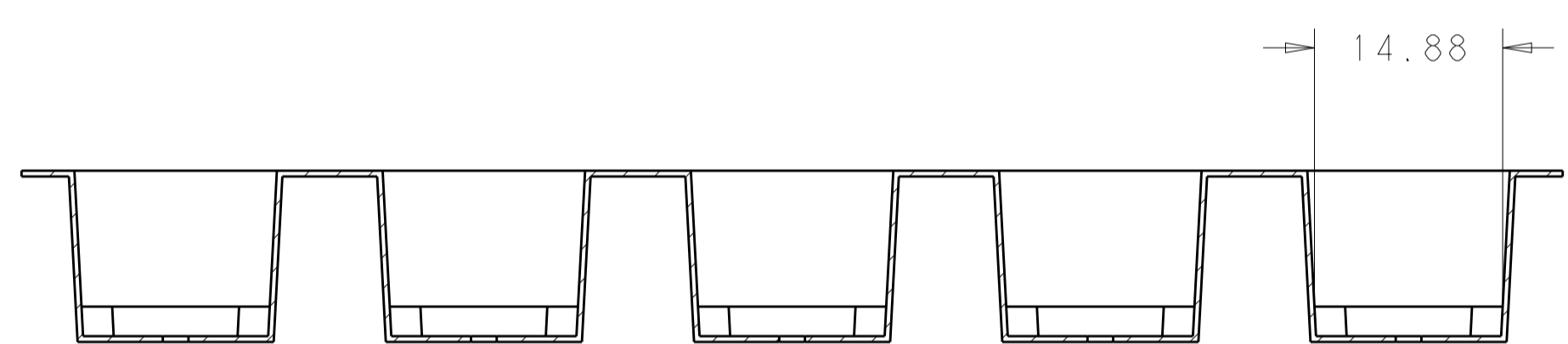
RECOMMENDED PCB LAYOUT SCALE 8:1

THIS DRAWING IS A CONTROLLED DOCUMENT. DIMENSIONING AND TOLERANCING PER ASME Y14.5M-2009		DWN: C. VALENTINE 19OCT2012 CHK: M. SCHMITT 19OCT2012 APVD: M. SCHMITT 19OCT2012	TE Connectivity
DIMENSIONS: mm TOLERANCES UNLESS OTHERWISE SPECIFIED: 0 PLC ±0.1 1 PLC ±0.1 2 PLC ±0.1 3 PLC ±0.1 4 PLC ±0.1 ANGLES °		NAME: SFP, 1X1 SINGLE PIECE CAGE, SOLDER PIN PRODUCT SPEC: 108-1950 APPLICATION SPEC: 114-13120 WEIGHT: - Customer Drawing	
MATERIAL: - FINISH: -		SIZE: A1 CAGE CODE: 00779 DRAWING NO: C=2227303	RESTRICTED TO: - SCALE: 6:1 SHEET: 2 OF 3 REV: A2

LOC	DIST	REVISIONS			
P	LTN	DESCRIPTION	DATE	DMN	APVD
GP	00	SEE SHEET 1	-	-	-



SECTION L-L



SECTION K-K
SCALE 2:1

2227303-2 / 1-222303-2 REEL PACKAGING

THIS DRAWING IS A CONTROLLED DOCUMENT. DIMENSIONING AND TOLERANCING PER ASME Y14.5M 2009		DMN C. VALENTINE 19OCT2012	TE Connectivity
DIMENSIONS: mm		CHK M. SCHMITT 19OCT2012	
TOLERANCES UNLESS OTHERWISE SPECIFIED: 0 PLC ±0.1 1 PLC ±0.1 2 PLC ±0.1 3 PLC ±0.1 4 PLC ± ANGLES ±°		APVD M. SCHMITT 19OCT2012	NAME SFP, 1X1 SINGLE PIECE CAGE, SOLDER PIN
MATERIAL		PRODUCT SPEC 108-1950	SIZE A100779C=2227303
FINISH		APPLICATION SPEC 114-13120	RESTRICTED TO
Customer Drawing		WEIGHT	SCALE 6:1 SHEET 3 OF 3 REV A2