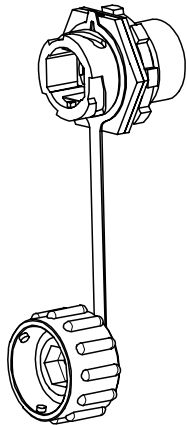


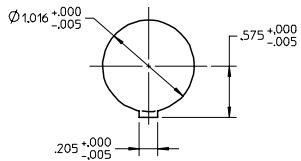
13 12 11 10 9 8 7 6 5 4 3 2 1

J  
I  
H  
G  
F  
E  
D  
C  
B  
A

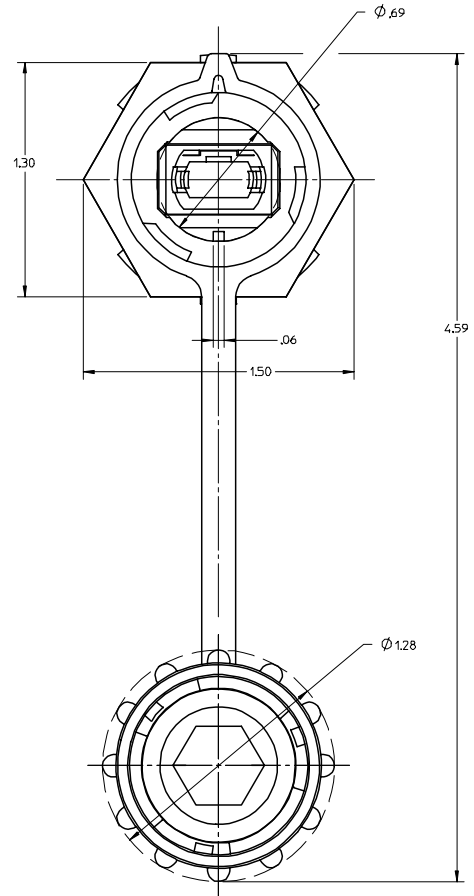
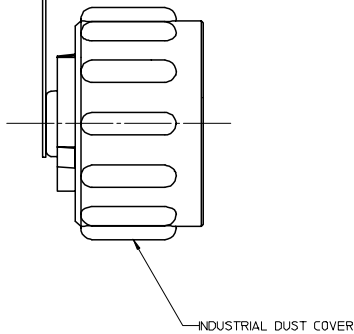
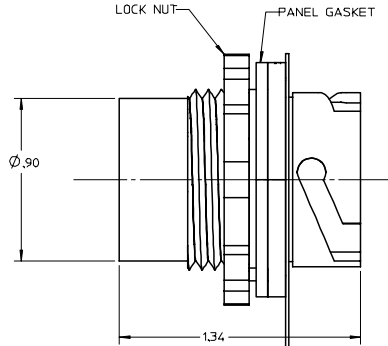
J  
I  
H  
G  
F  
E  
D  
C  
B  
A



ISOMETRIC VIEW  
SCALE: 1:1



RECOMMENDED MOUNTING CUTOUT  
SCALE: 1:1



NOTE:  
ALL DIMENSIONS ARE FOR REFERENCE ONLY.

ENTER DESCRIPTION EC NO: MF2007-0002 DRAWING: GLOBAL TRUKON IS 2006/07/07 CHKCD: 2006/07/07 APPR: JGUMIN 2006/07/07 REV: A	QUALITY SYMBOLS ▽=0 ▽=0	GENERAL TOLERANCES (UNLESS SPECIFIED)		DIMENSION STYLE INCH ONLY		SCALE 2:1	DESIGN UNITS INCH	THIRD ANGLE PROJECTION			
		4 PLACES ± --- ± ---	mm INCH	DRAWN BY D.B.	DATE 2006/6/30	TITLE MTP INDUSTRIAL ADAPTER					
		3 PLACES ± --- ± ---		CHECKED BY	DATE	APPROVED BY					
		2 PLACES ± --- ± ---		DATE 2006/6/30		MATERIAL NO. 1060596200					
1 PLACE ± --- ± ---		ANGULAR ±1/2°		DATE 2006/6/30		DOCUMENT NO. SD-106059-6200		SHEET NO. 1 OF 1			
DRAFT WHERE APPLICABLE MUST REMAIN WITHIN DIMENSIONS				SIZE C		THIS DRAWING CONTAINS INFORMATION THAT IS PROPRIETARY TO MOLEX INCORPORATED AND SHOULD NOT BE USED WITHOUT WRITTEN PERMISSION					