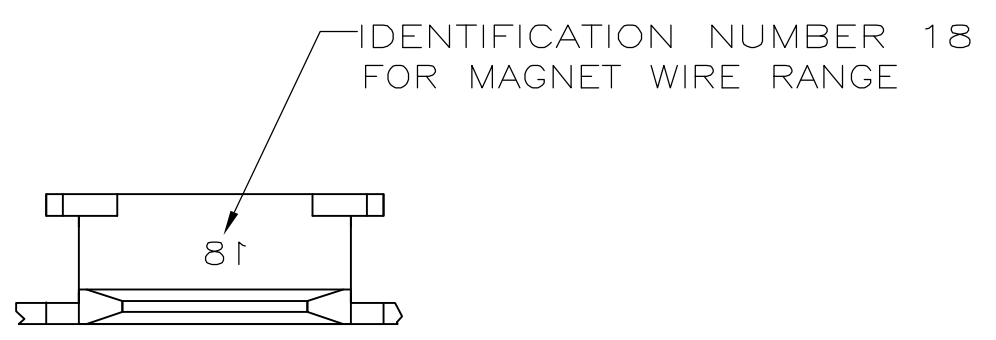
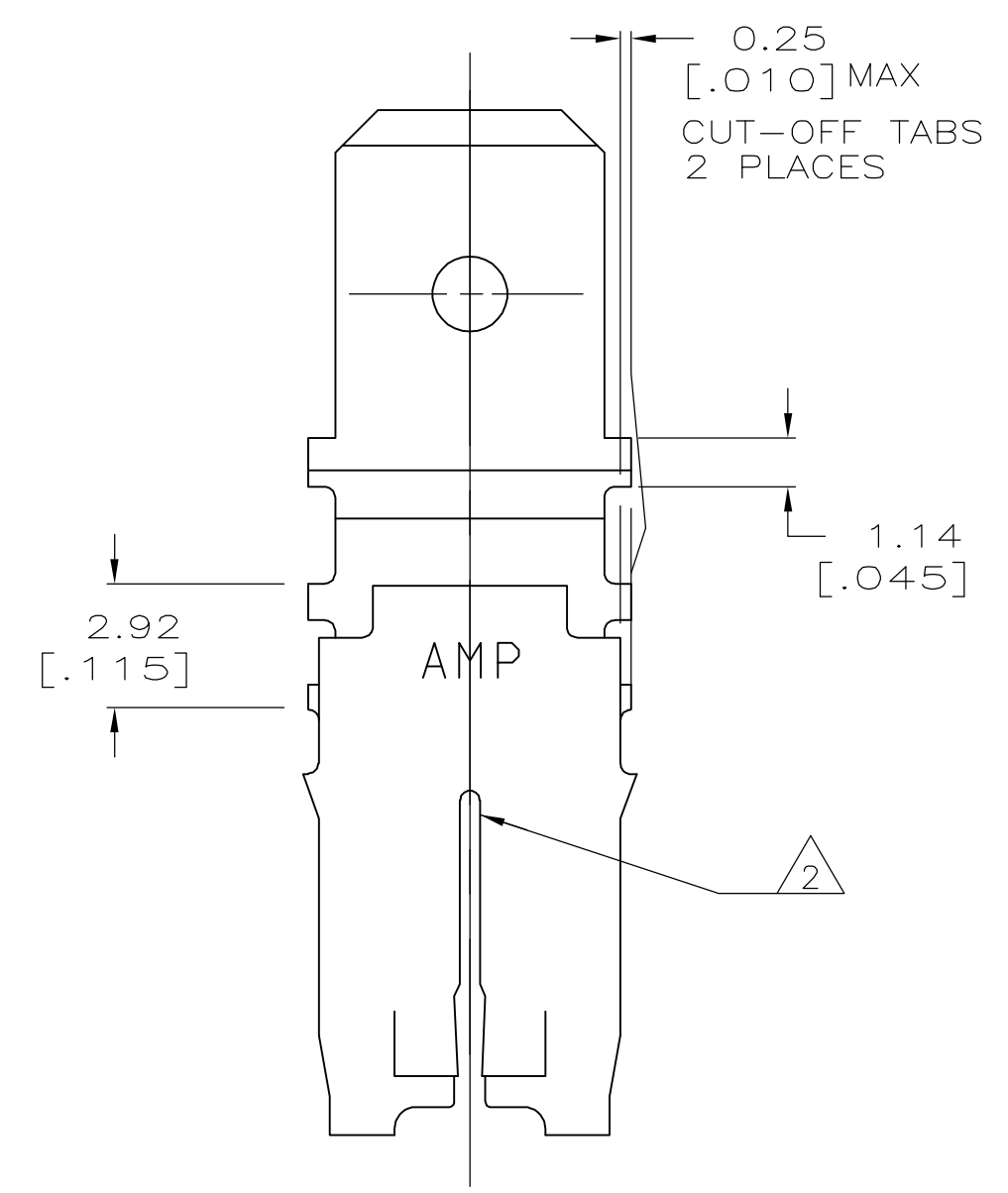
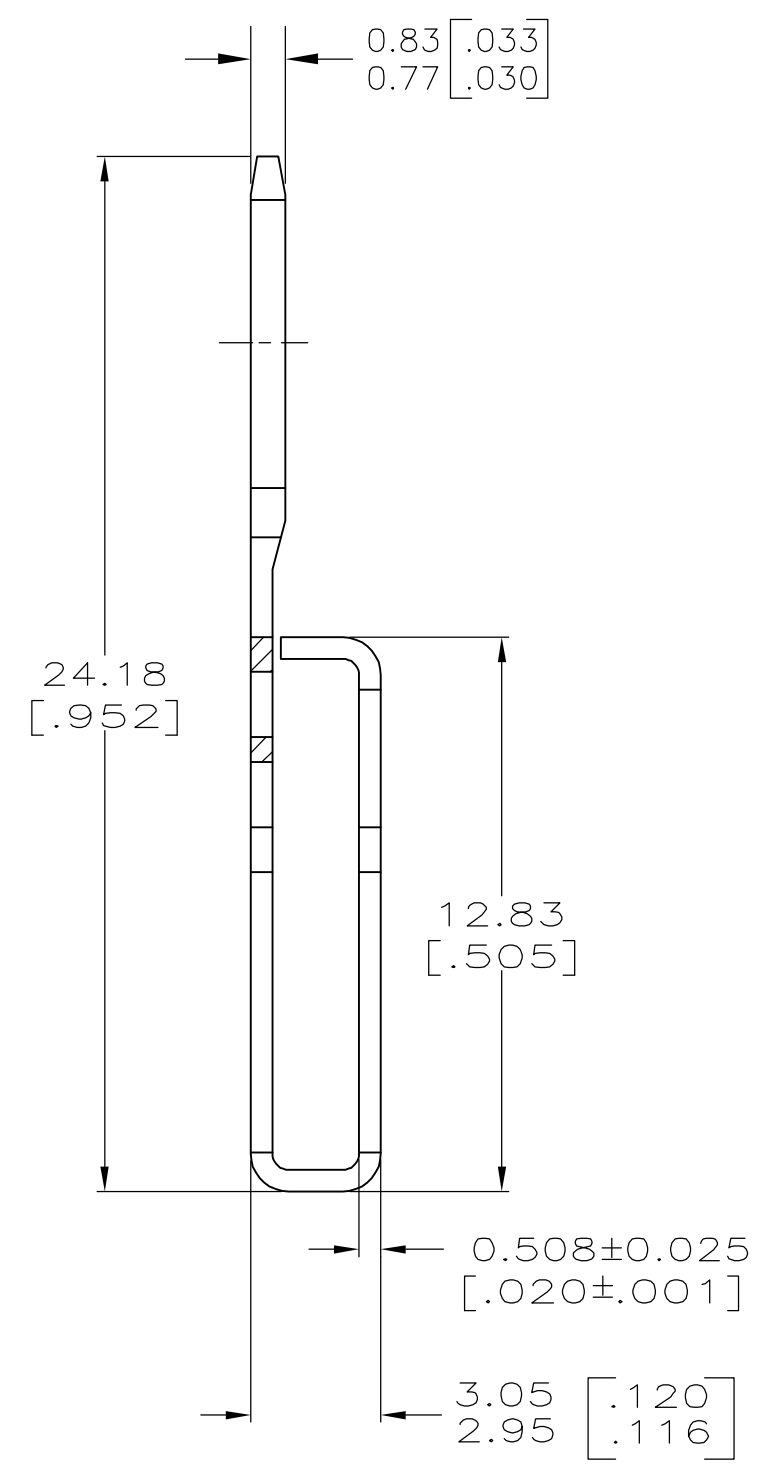
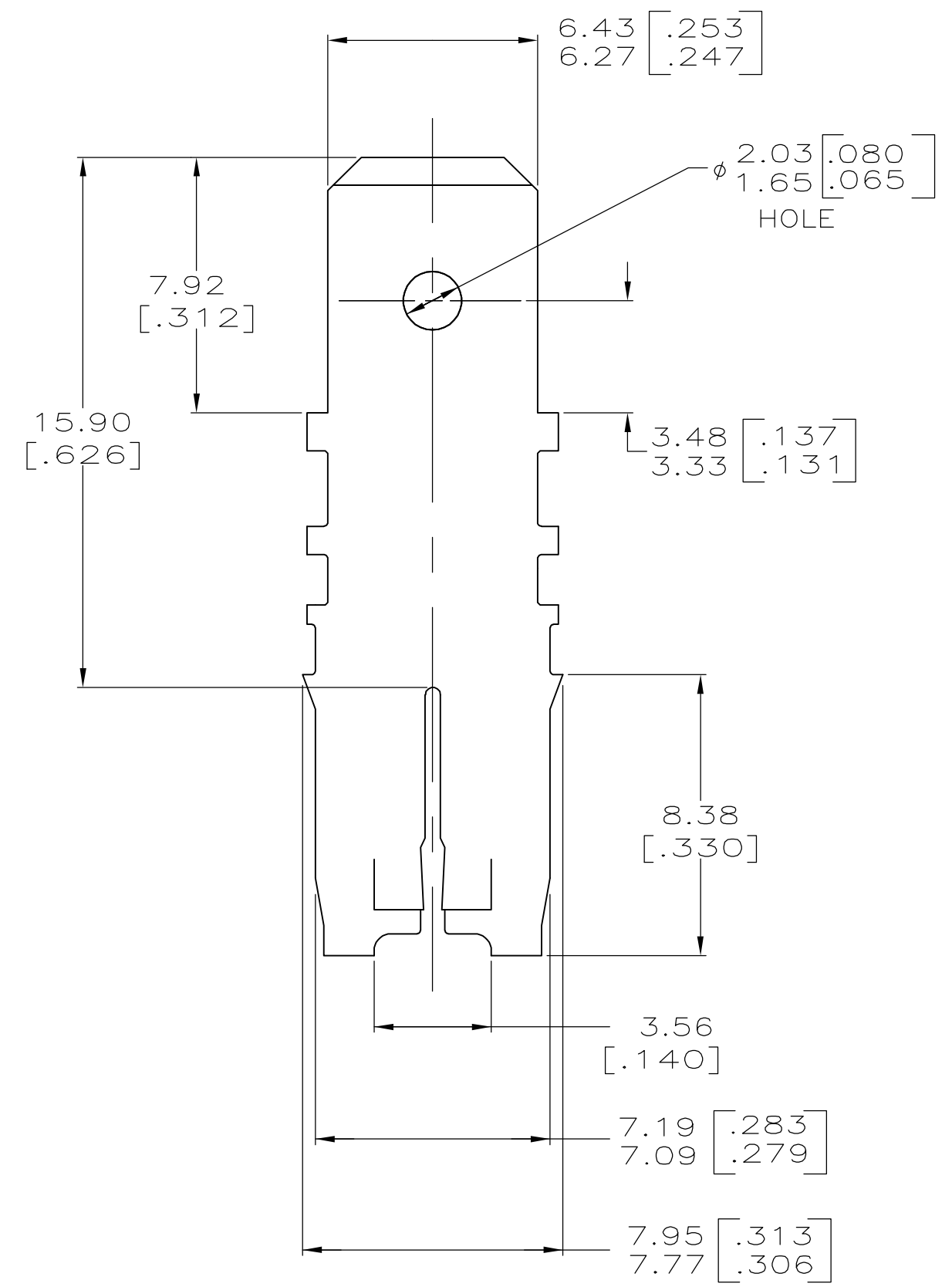


THIS DRAWING IS UNPUBLISHED. RELEASED FOR PUBLICATION
 © COPYRIGHT BY TYCO ELECTRONICS CORPORATION. ALL RIGHTS RESERVED.

LOC	DIST	REVISIONS			
P	LTR	DESCRIPTION	DATE	DWN	APVD
AF	50	C	REVISED PER ECR-06-010515	29AUG06	HMR KR



- 1 VARNISH RESIST OVER 0.002032
[.000080] MIN TIN PER MIL-T-10727.
- 2 SLOT ACCEPTS 0.64-0.81mm [#22-#20] AWG
COPPER MAGNET WIRE. 2 WIRES OF THE SAME
SIZE MAX PER SLOT.
- 3 AFTER INSERTION INTO PLASTIC HOLDER MAG-MATE
MUST BE POTTED-IN TO PREVENT PULL-OUT WHEN
MATING RECEPTACLE IS DISCONNECTED.



63882-1
PART NO

THIS DRAWING IS A CONTROLLED DOCUMENT.		DWN R.GRZYBOWSKI 24/OCT/95	tyco Electronics		Tyco Electronics Corporation Harrisburg, PA 17105-3608	
DIMENSIONS: mm [INCHES]		CHK MS FEHER 24/OCT/95	NAME N NEFF			
TOLERANCES UNLESS OTHERWISE SPECIFIED:		APVD 24/OCT/95	PRODUCT SPEC 108-2053			
0 PLC ± -		APPLICATION SPEC 114-2066				
1 PLC ± -		SIZE A2				
2 PLC ± 0.25 [.010]		CAGE CODE 00779				
3 PLC ± -		DRAWING NO G-63882				
4 PLC ± -		RESTRICTED TO -				
ANGLES ± ± -		WEIGHT -				
FINISH		CUSTOMER DRAWING				
1		SCALE 6:1 SHEET 1 of 1 REV C				