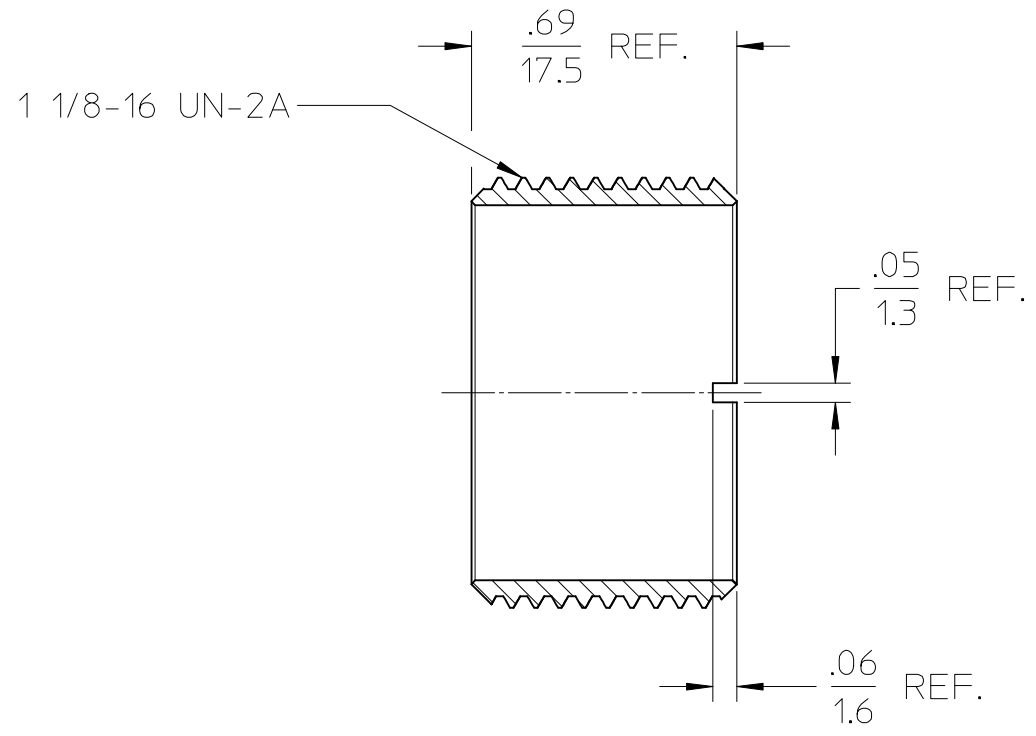
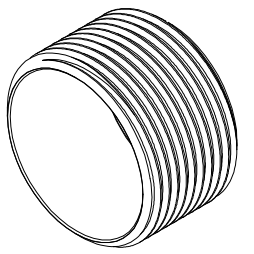
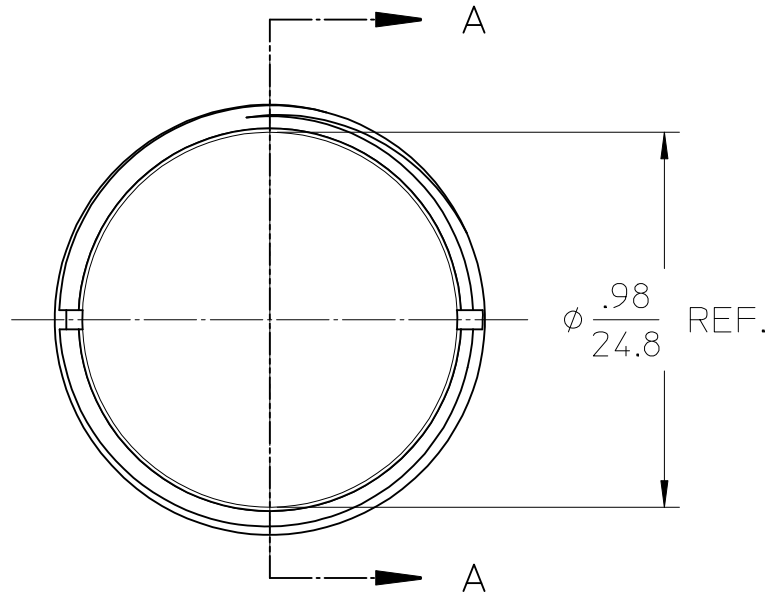


MATL. NO.	ENG NO.	FINISH	MATERIAL
1302011228	55-0496	CLEAR ANODIZE	ALUMINUM
1302011229	55-0496SS	PASSIVATED	ST. STEEL

ⓑ



Section A-A



ADDED SS P/N EC NO: IPG2013-0880 DRWN:RSTONE 2013/01/22 CH'KD:K. JOZWIK 2013/01/25 APPR:JFMURPHY 2013/03/01	QUALITY SYMBOLS ▽=0 ◻=0	GENERAL TOLERANCES (UNLESS SPECIFIED)		DIMENSION STYLE	SCALE	DESIGN UNITS	THIRD ANGLE PROJECTION	
		mm	INCH	IN/MM	2:1	INCH	⊙ □	
		4 PLACES ± ---	± ---	DRAWN BY	DATE	TITLE		
		3 PLACES ± ---	± ---	BRUPERT	08/20/09	MC THREADED ADAPTER C-SIZE 1-1/8 THD		
2 PLACES ± ---	± ---	CHECKED BY	DATE	MOLEX INCORPORATED Molex logo				
1 PLACE ± ---	± ---	WOODMAN	08/20/09					
ANGULAR ±1/2°		APPROVED BY	DATE	DOCUMENT NO.		SHEET NO.		
DRAFT WHERE APPLICABLE MUST REMAIN WITHIN DIMENSIONS		JFMURPHY	2009/08/26	SD-130201-228		1 OF 1		
		MATERIAL NO.		THIS DRAWING CONTAINS INFORMATION THAT IS PROPRIETARY TO MOLEX INCORPORATED AND SHOULD NOT BE USED WITHOUT WRITTEN PERMISSION				
		SEE CHART						
		SIZE A						