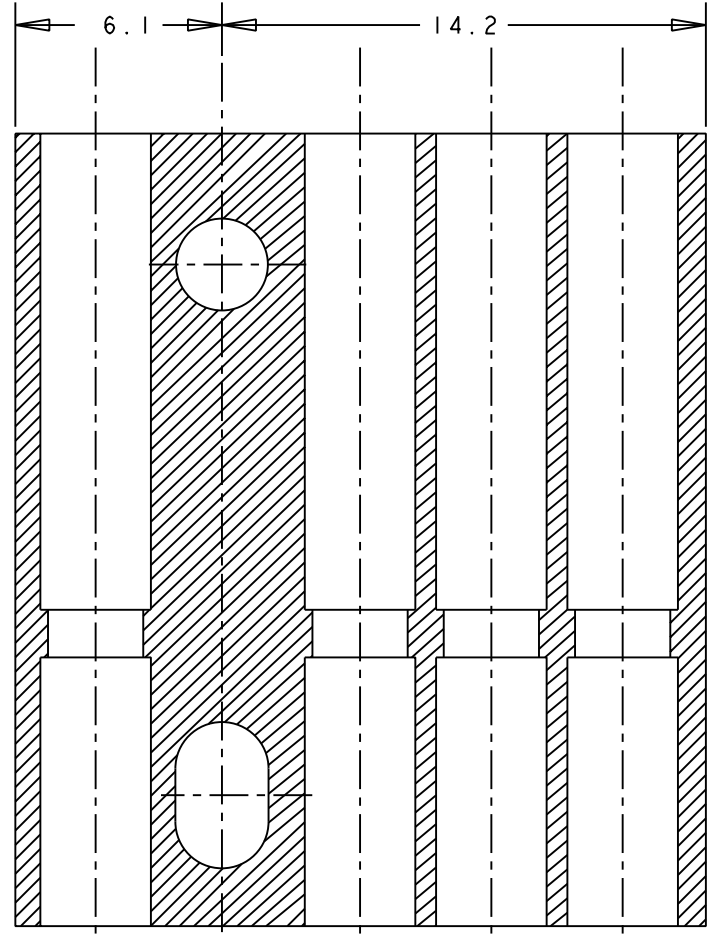


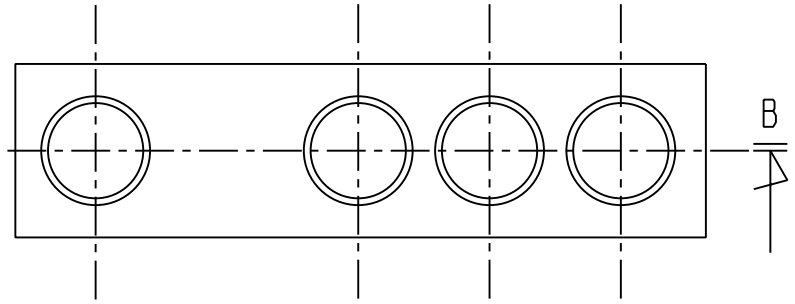
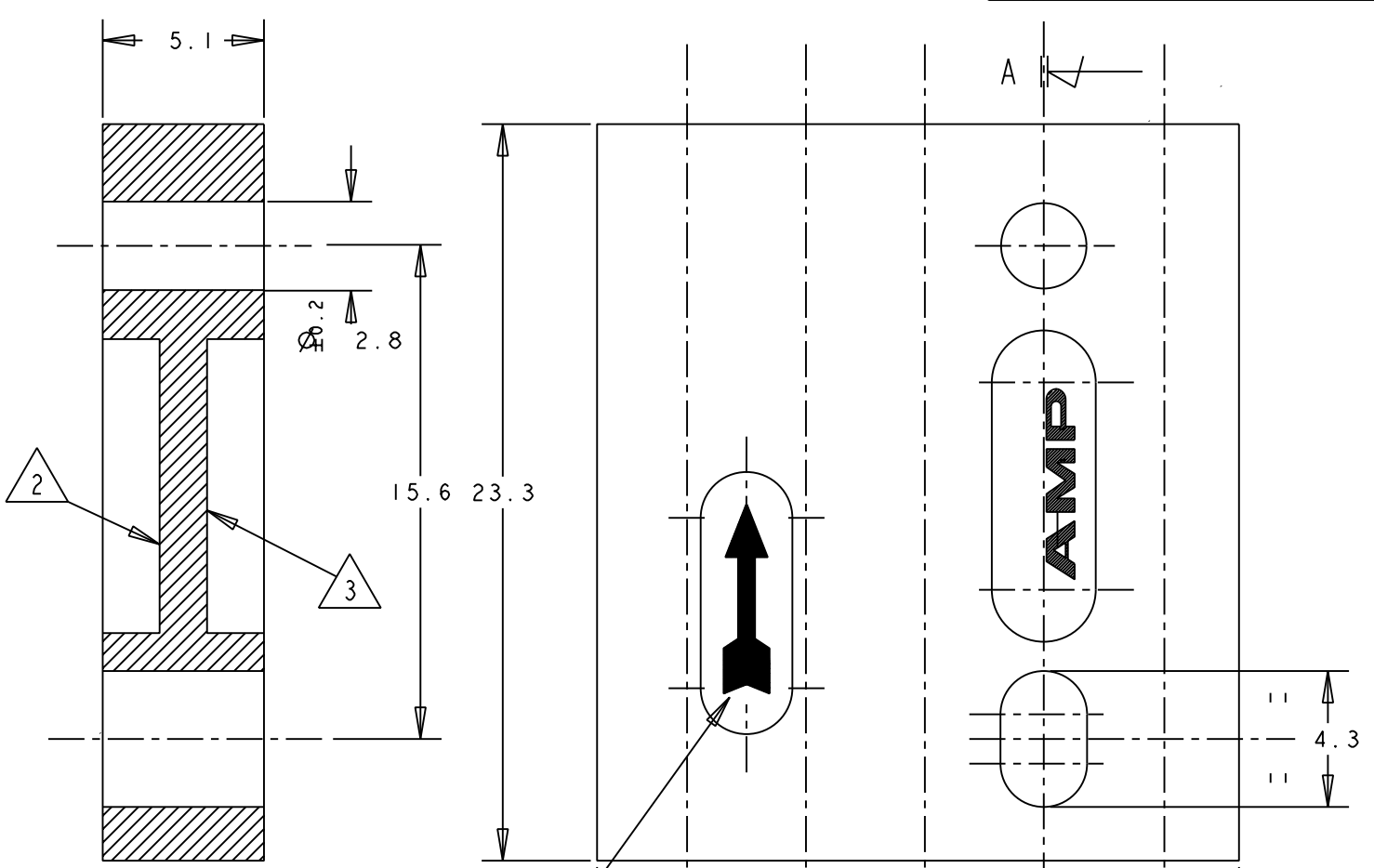
THIS DRAWING IS UNPUBLISHED. RELEASED FOR PUBLICATION
COPYRIGHT ALL RIGHTS RESERVED.

LOC		DIST		REVISIONS			
P	LTR	DESCRIPTION	DATE	DWN	APVD		

SECT. B-B



SECT A-A



REV.	REVISIONI (REVISION RECORD)	DIS. DATA (DR)	(DATE)
01	ECR-10-022530	KK	14 JUN 11
0	REDRAWN WITHOUT CHANGE	C.C.	2008
H	ADDED DASH 2	C.C.	19-10-1993
G	REV. PER ECN 1270	R.C.	DEC. '72
F	REV. PER ECN 1033	R.R.	DEC. '70
E	CHANGED YELLOW & BLACK MATERIAL	R.R.	JAN. '66
D	WAS 1A-5-5006	C.C.	SEP. '65
C	ADDED PART NUMB.	R.P.	SEP. '65
B	CHANGED COLOR AND MATERIAL CODE	R.R.	SEP. '65
A	REVISED-REDRAWN	R.P.	FEB. '65

FINITURA / COLORE	MATERIALE	NUMERO
4	BLACK POLYC. 30% GLASS FILLED	180934-2
5	GREEN POLYC. 20% GLASS FILLED	180934-1
	BLACK POLYCARBONATE NATURAL	180934-5

OBSOLETE

NOTES:

- 1 AN HALOWED ARROW MOULDED ON SHOWED LOCATION, INDICATES CONTACT INSERTION DIRECTION DURING CUSTOMER ASSEMBLY OPERATION
- 2 MANUF. CODE, CHARACTERS RAISED ON SHOWED LOCATION
- 3 PART NUMBER, CHARACTER RAISED ON SHOWED LOCATION
- 4 PRODUCT MANUFACTURED BY GERMANY
- 5 PRODUCTS MANUFACTURED BY TALY

THIS DRAWING IS A CONTROLLED DOCUMENT.

DWN 06-09-1993 C. CORDOLA
CHK 06-09-1993 C. MARTINS
APVD

PRODUCT SPEC
APPLICATION SPEC
WEIGHT

NAME
4 POS. MDM CONNECTOR FOR PIN CTC. TYPE II & III+ SIZE I6-LONG.

SIZE A3 CAGE CODE C-180934 DRAWING NO RESTRICTED TO

CUSTOMER DRAWING SCALE NO SHEET 1 OF 1 REV 01

STE TE Connectivity