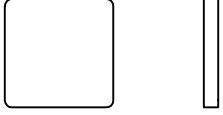
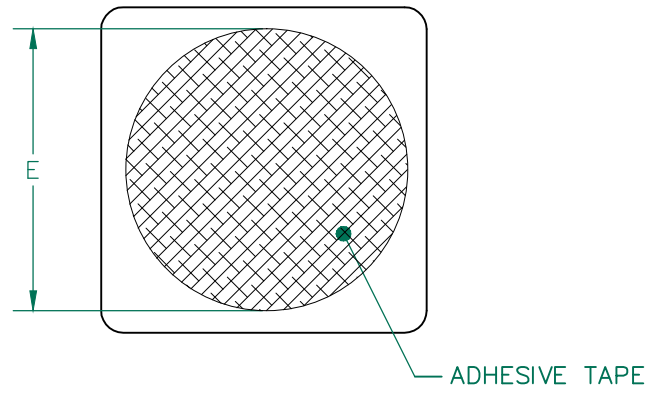
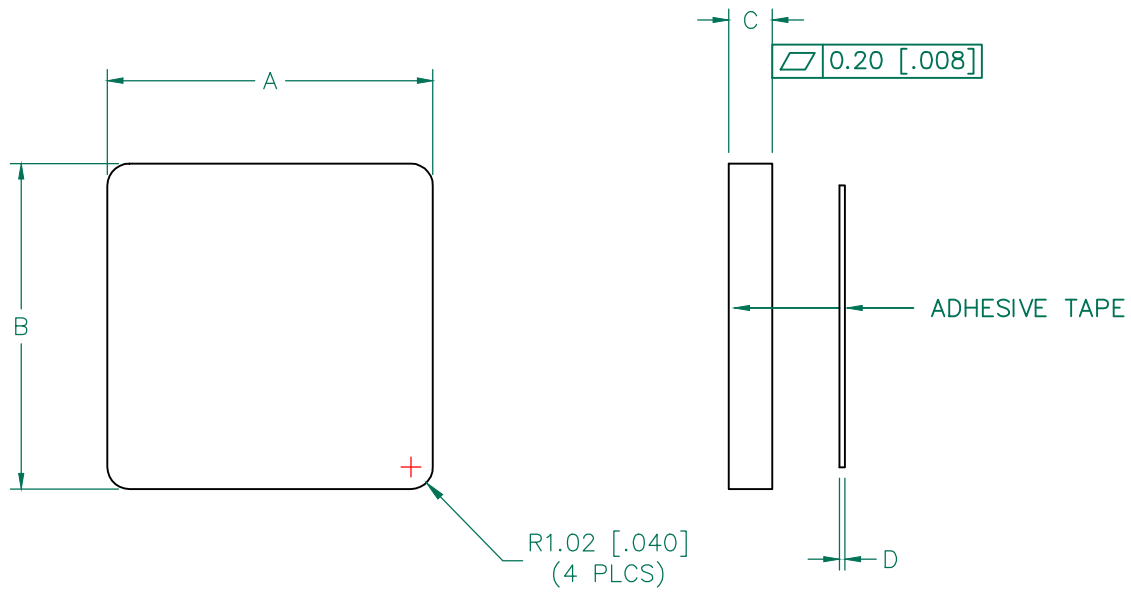


SCALE DRAWING 1:1

 MP0591-200



UNCONTROLLED DOCUMENT




NOTES:

1. CORE: MP0591-2B0.
2. ADHESIVE: P/N 21212.
3. REFERENCE 3M TAPE 468MP ADHESIVE TRANSFER TAPE OR ENGINEER APPROVED ALTERNATIVE.
4. COSMETIC SPECIFICATION REFER TO WI-QA-038.

DIMENSIONS:

A	15.00 [.591]	±	0.30 [.012]
B	15.00 [.591]	±	0.30 [.012]
C	2.00 [.079]	±	0.08 [.003]
D	0.13 [.005]	±	TYP.
E	13.00 [.512]	±	TYP.

WEIGHT/1000 2.23 kgs [4.92 Lbs]

DIMENSIONS ARE IN mm [INCHES].				This print is the property of Laird Tech. and is loaned in confidence subject to return upon request and with the understanding that no copies shall be made without the written consent of Laird Tech. All rights to design or invention are reserved.				
REV	DESCRIPTION	DATE	INT					REV
H	UPDATE THE LOGO	06/19/15	QIU	PROJECT/PART NUMBER: MP0591-200		H	FERRITE PLATE	JRK
G	CHANGE D DIMENSION	07/09/09	JRK					
F	REMOVE PULLTAB REVISE NOTE #3	06/11/09	JRK					
E	UPDATE COMPANY LOGO AND NOTE #3	12/11/08	JRK					
D	STANDARDIZE PRINT FORMAT(SeeCoverSheet)	01/23/06	JRK					
C	ADD NOTE #3. ADD ADHESIVE P/N	10/04/04	JRK					
B	ADD PART WEIGHT	04/06/04	TMB					
A	ORIGINAL DRAFT	02/20/04	JRK					
REV	DESCRIPTION	DATE	INT					
DATE: 02/20/04		SCALE: 3 : 1						
CAD # MP0591-200-H		TOOL # P0591						