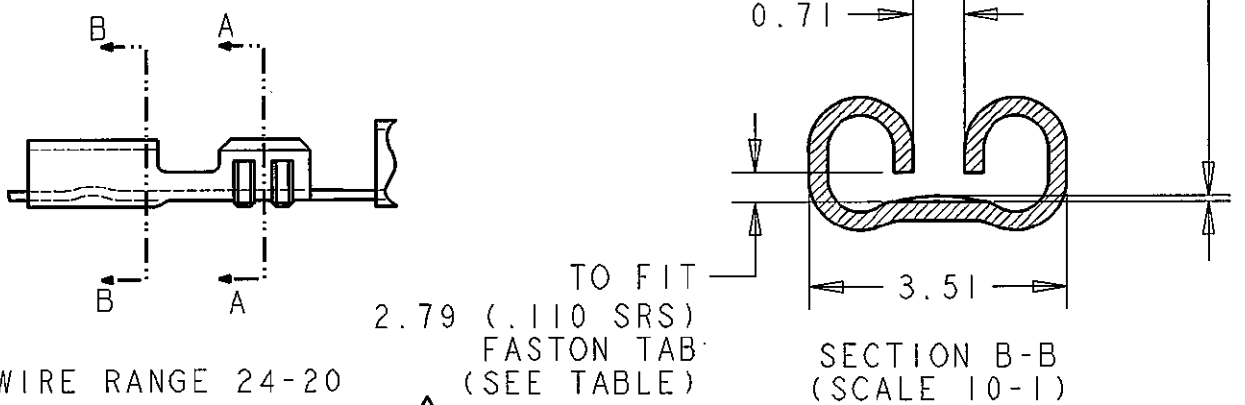
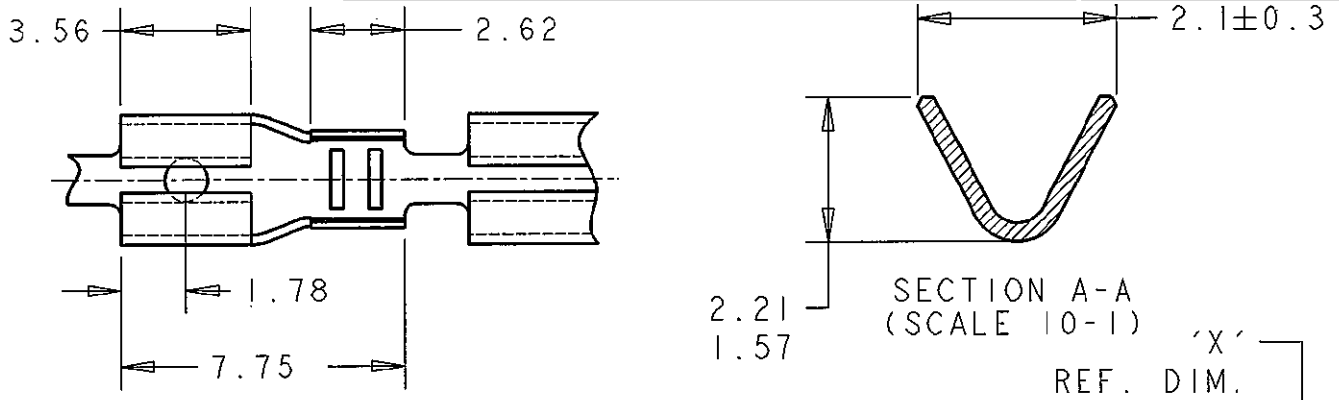


LOC		REVISIONS			
P	LTR	DESCRIPTION	DATE	DWN	APVD
	R	EB00-0136-98	17-3-98	JPA	CK
	S	EB00-0283-98	5-6-98	PB	JPA
	S1	REVISED PER ECO-09-025699	15DEC09	KK	AEG



△ OBSOLETE PARTS: OBSOLETE CIS STREAMLINING PER D.RENAUD/D.SINISI

	PART NUMBER	FINISH	TAB THICKNESS	'X' DIMPLE HT.
	1-151614-7	SILVER PLATE	0.51	0.08
	1-151614-6	NONE	0.46	NO DIMPLE
	1-151614-5	PRE-TIN	0.46	NO DIMPLE
	1-151614-4	NONE	0.46	0.13
	1-151614-3	PRE-TIN	0.46	0.13
OBSOLETE	1-151614-2	NONE	0.33	0.13
△	1-151614-1	PRE-TIN	0.33	0.13
	1-151614-9	PRE-TIN	0.33	0.08
	151614-8	NONE	0.46	0.08
△	151614-7	PRE-TIN	0.46	0.08
	151614-6	NONE	0.79	0.08
	151614-5	PRE-TIN	0.79	0.08
	151614-4	NONE	0.25	0.08
	151614-3	PRE-TIN	0.25	0.08
	151614-2	NONE	0.51	0.08
	151614-1	PRE-TIN	0.51	0.08

16-MAY 1966
 RELEASED FOR PUBLICATION
 ALL RIGHTS RESERVED.
 BY AMP INCORPORATED.
 COPYRIGHT 1966
 THIS DRAWING IS UNPUBLISHED.

DIMENSIONS IN m.m	DWN	D.R. TERRY	2-7-97	MATERIAL	0.25 THK BRASS	FINISH	SEE TABLE
	CHR	FW-K	2-7-97	AMP of Great Britain Ltd, Stanmore, Middlesex, HA7 4RS.			
TOLERANCES UNLESS OTHERWISE SPECIFIED:	APVD	FW-K	2-7-97				
	PRODUCT SPEC	-		.110 SRS MINI. FASTON RECEPTACLE SPECIAL SHORT			
LINEAR: - ±0.5 ANGULAR: - ±1°	APPLICATION SPEC	-		SIZE	A4	CAGE CODE	00779
	WEIGHT	-		DRAWING NO	C-151614		
THIRD ANGLE PROJECTION	CUSTOMER DRAWING			SCALE	5:1	SHEET	1 OF 1
				REV	S1		