

MODEL BMK11 – CUB5 OR MLPS DIN RAIL BASE MOUNT ADAPTER KIT

DESCRIPTION

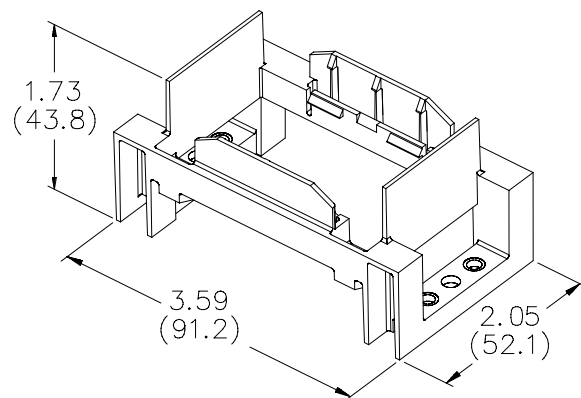
The model BMK11 can be used to mount a CUB5 meter or a Micro Line Power Supply (MLPS) in various applications. Need a DIN rail mounted display? Simply add the DIN rail clips to the back of the BMK11, install your meter and snap it on the rail. If your application requires an inexpensive power supply, simply mount an MLPS to the BMK11 and snap it to the rail. For base mount application, just use the appropriate mounting screws to securely fasten the BMK11. Nothing could be easier.

ORDERING INFORMATION

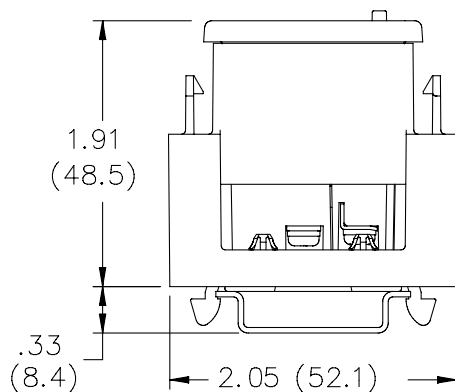
MODEL NO.	DESCRIPTION	PART NUMBER
BMK11	CUB5 or MLPS DIN Rail Base Mount Kit	BMK11000

DIMENSIONS In inches (mm)

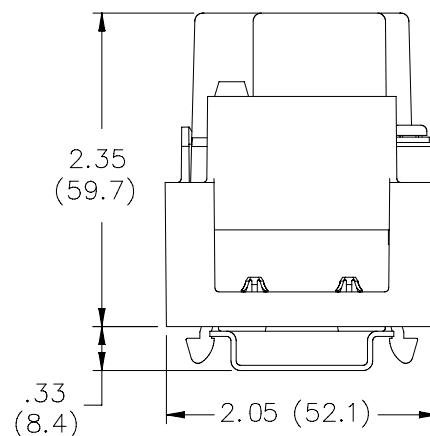
BMK11 WITHOUT UNIT



BMK11 WITH CUB5

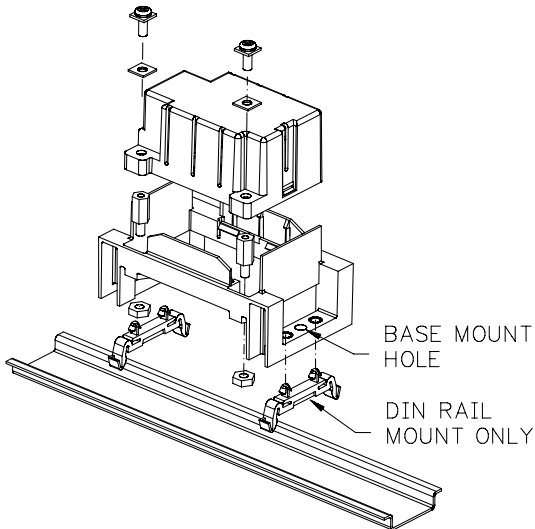
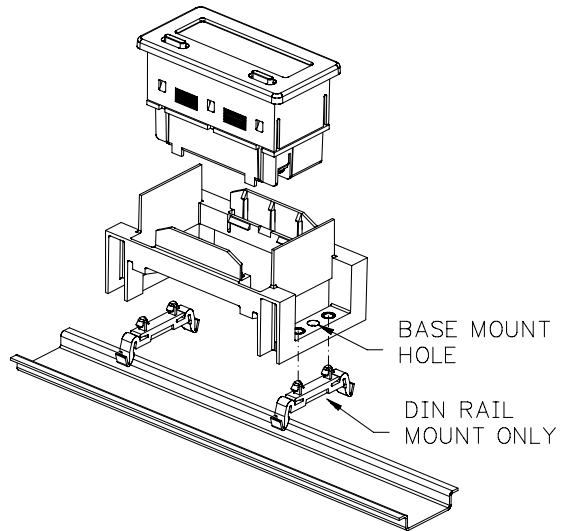


BMK11 WITH MLPS



CUB5 INSTALLATION

1. Remove the panel latch (mounting clip) from the indicator. Insert the indicator into the BMK11 per diagram at right. Verify indicator is fully seated and latches have engaged. With latches properly engaged the indicator will not pull out of the BMK11.
2. Wire the indicator.
3. For **DIN RAIL** mounting, insert the two plastic feet as shown in the diagram at right. Angle the assembly so that the top groove of both rail feet are located over the top lip of the rail. Rotate the assembly towards the rail until it snaps into place.
4. To remove the assembly from the rail, place a screwdriver behind one of the rail feet and draw the rail foot away from the rail disengaging it from the rail. Apply the same procedure to the second rail foot and remove the complete assembly from the rail.
5. For **Base Mount**, use the holes indicated in the diagram at right, and screw or bolt the assembly to the desired mounting surface. User is responsible for selecting the appropriate screw or bolt to provide mounting to the desired surface. Base mount holes in the BMK11 are designed for #8 hardware.
6. To remove the indicator from the BMK11, slide a small screwdriver into the slot provided in the latch. Draw the latch away from the indicator until disengaged. Repeat the procedure on the other side. Once the latches are released, remove the indicator from the BMK11.



MLPS INSTALLATION

1. Using the two nuts supplied with the BMK11, affix standoffs from MLPS hardware pack as indicated in the diagram at left.
2. Snap the MLPS over the standoffs into the BMK11 as indicated in the diagram.
3. Attach the MLPS to the standoffs using the square washers and SEMS terminal screws included with MLPS hardware pack.
4. Assembly can be wired at this time, or after the mounting is completed.
5. For **DIN RAIL** mounting, insert the two plastic feet as shown in the diagram. Angle the assembly so that the top groove of both rail feet are located over the top lip of the rail. Rotate the assembly towards the rail until it snaps into place.
6. For **Base Mount**, use the holes indicated in the diagram at left, and screw or bolt the assembly to the desired mounting surface. User is responsible for selecting the appropriate screw or bolt to provide mounting to the desired surface. Base mount holes in BMK11 are designed for #8 hardware.
7. To remove the MLPS from the BMK11, slide a small screwdriver between the MLPS and the latch wall. Draw the latch away from the MLPS until disengaged. Repeat procedure on the other side. Once latches are released remove the MLPS from the BMK11.

LIMITED WARRANTY

The Company warrants the products it manufactures against defects in materials and workmanship for a period limited to two years from the date of shipment, provided the products have been stored, handled, installed, and used under proper conditions. The Company's liability under this limited warranty shall extend only to the repair or replacement of a defective product, at The Company's option. The Company disclaims all liability for any affirmation, promise or representation with respect to the products.

The customer agrees to hold Red Lion Controls harmless from, defend, and indemnify RLC against damages, claims, and expenses arising out of subsequent sales of RLC products or products containing components manufactured by RLC and based upon personal injuries, deaths, property damage, lost profits, and other matters which Buyer, its employees, or sub-contractors are or may be to any extent liable, including without limitation penalties imposed by the Consumer Product Safety Act (P.L. 92-573) and liability imposed upon any person pursuant to the Magnuson-Moss Warranty Act (P.L. 93-637), as now in effect or as amended hereafter.

No warranties expressed or implied are created with respect to The Company's products except those expressly contained herein. The Customer acknowledges the disclaimers and limitations contained herein and relies on no other warranties or affirmations.

Red Lion Controls
20 Willow Springs Circle
York PA 17406
Tel +1 (717) 767-6511
Fax +1 (717) 764-0839

Red Lion Controls BV
Printerweg 10
NL - 3821 AD Amersfoort
Tel +31 (0) 334 723 225
Fax +31 (0) 334 893 793

Red Lion Controls AP
Unit 101, XinAn Plaza
Building 13, No.99 Tianzhou Road
Shanghai, P.R. China 200223
Tel +86 21 6113-3688
Fax +86 21 6113-3683