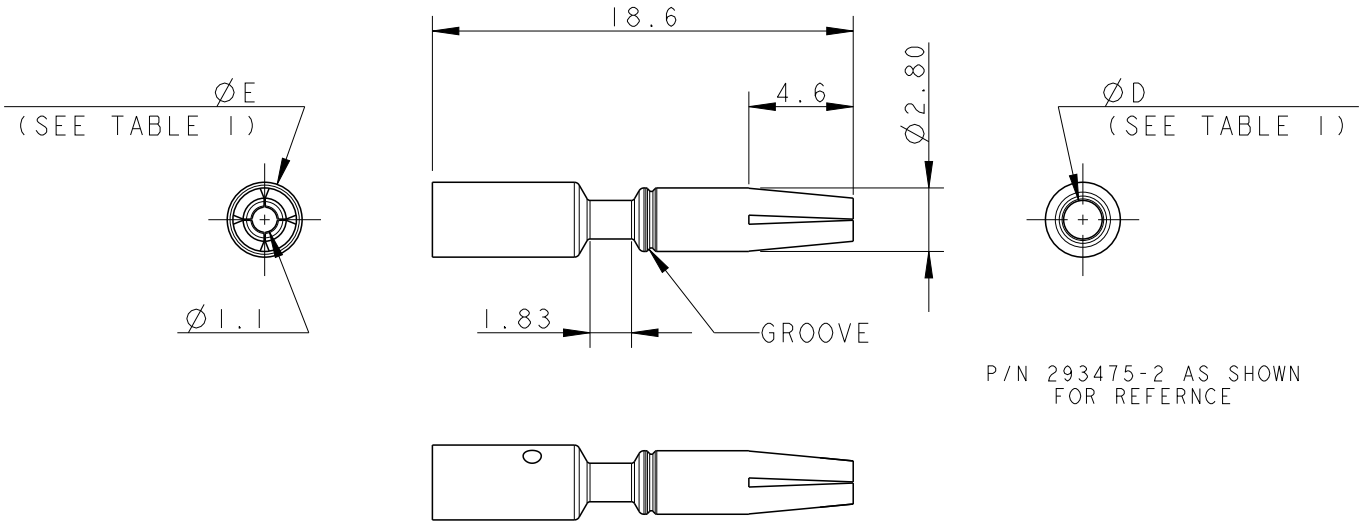


LOC	DIST	REVISIONS					
1	-	P	LTR	DESCRIPTION	DATE	DWN	APVD
			D	UPDATED	23MAY2014	MZ	JC
			E	UPDATED PART REVISION	12AUG2014	KR	JC
			F	UPDATED PART REVISION	18AUG2014	KR	JC
			G	ECR-15-009919 AND ECR-15-010559	15JUL2015	RS	JL



NOTES:

1) PACKAGING: SEE TE PACKAGING SPEC. 107-20294

2 PART NOT YET RELEASED FOR PRODUCTION

	2-293475-2	
	1-293475-2	
	293475-2	
ADDITIONAL VIEWS, FOR REFERENCE	3D VIEWS FOR REFERENCE	PART NUMBER

2	4.0	3.9	2.8	0	~0.8	MACHINE SOCKET CONTACT NECTOR* M-LINE	2-293475-2
	2.5	3.3	2.2	0	~0.6	MACHINE SOCKET CONTACT NECTOR* M-LINE	1-293475-2
	1.5	3.3	1.7	1	~0.7	MACHINE SOCKET CONTACT NECTOR* M-LINE	293475-2
NOTE	CROSS SECTION (mm ²)	NOM. DIM. "E"	NOM. DIM. "D"	NO. OF GROOVES	NET WEIGHT (g)	DESCRIPTION	PART NUMBER

2010
 RELEASED FOR PUBLICATION
 ALL RIGHTS RESERVED.
 BY -
 COPYRIGHT 2010

DIMENSIONS: mm	DWN M. ZUCCA 23OCT2009	MATERIAL BRASS	FINISH TIN PLTD
TOLERANCES UNLESS OTHERWISE SPECIFIED:	CHK M. ZUCCA 23OCT2009	TE Connectivity	
0 PLC ±-	APVD G. TURCO 23OCT2009		
1 PLC ±0.3	PRODUCT SPEC 108-20304	NAME MACHINED SOCKET CONTACT NECTOR* M-LINE	
2 PLC ±0.20	APPLICATION SPEC 114-20152	SIZE A4	CAGE CODE 00779
3 PLC ±-	WEIGHT SEE TABLE 1	DRAWING NO C=293475	RESTRICTED TO -
4 PLC ±-	Customer Drawing	SCALE 3:1	SHEET 1 OF 1
ANGLES ±3°			REV G