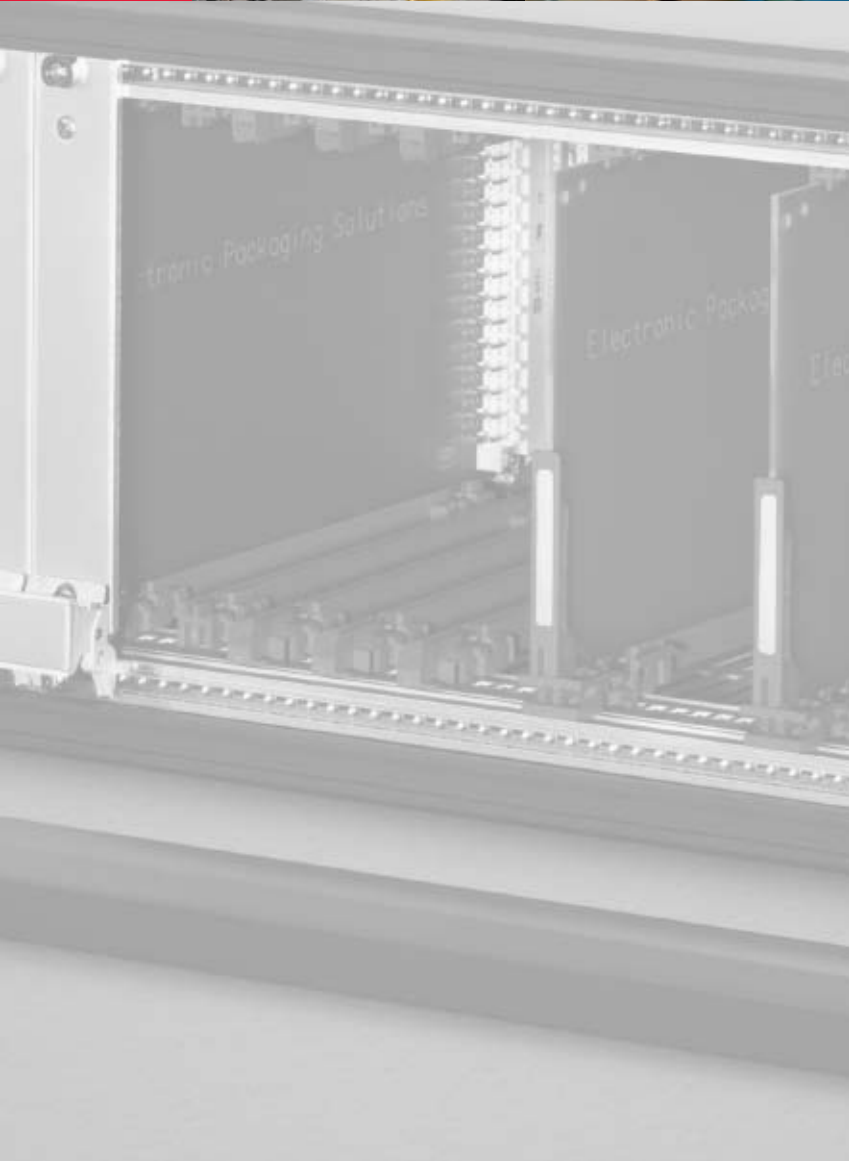


## Electronic Cases



2009 Edition

# Perfect Combination

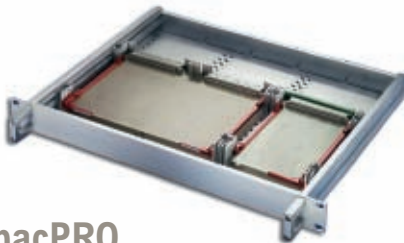
Form and function for measurement, instrumentation and control technology in a wide range of industries



- Medical instrumentation
- Lab/data analysis
- Communications diagnostics

## Electronic Cases

- High quality protection for sensitive electronics
- Effective EMC shielding concepts
- Flexible design emphasis



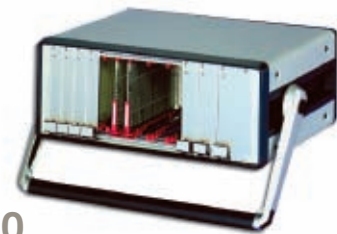
## multipacPRO

- Ideal for all low profile rackmounted chassis applications
- Available in sheet metal version for volume requirements
- Perfect 'pizza boxes' slot in 1U and 2U sizes



## inpac

- Ideal for heavy duty industrial
- 19" rack mount applications
- Top and bottom covers easily removed for access
- Rugged diecast and extruded framework
- Cost-effective solution



## compacPRO

- Ideal for Medical, Test, or VME based applications
- Available in desktop or portable models
- Easily customized
- Rugged diecast and extruded framework
- Top and bottom covers easily removed for access
- Adjustable tip-up handle



## ratiopacPRO/-air

- Aesthetic, flexible design – perfect for instrumentation
- High Performance EMC option
- Available in rackmount, desktop, and tower models
- Efficient thermal management



## comptec

- Ideal as the 'desk top cabinet' for applications where there is a need to house 19" rackmounted equipment
- Applications: R & D Labs, demo equipment, table top cabinet requirements
- Rugged diecast and extruded frame



## Test and Measurement

Schroff cases provide mounting for a wide variety of electronic equipment including:

- VME/CPCI boards
- Power supplies
- Motherboards
- Test panels
- Custom front/rear panels
- Cooling

They can be configured to handle a wide range of applications in test measurement from photonics, to communications diagnostics, to chromatography to portable data acquisition.

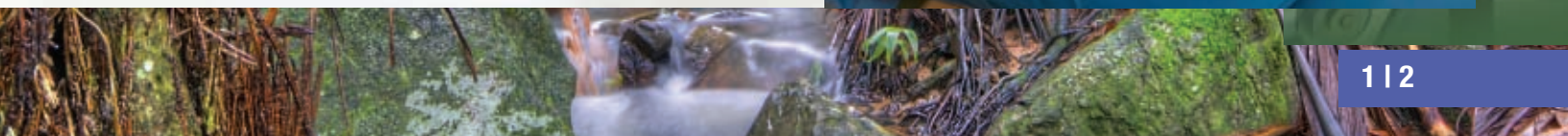
## Medical

Schroff electronic cases are the perfect solution for a range of medical applications including:

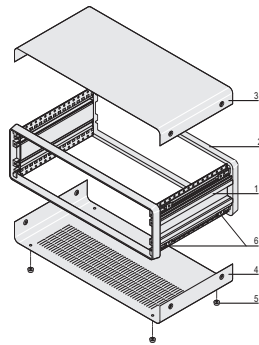
- Electro-surgical equipment
- Embedded systems
- Portable diagnostic equipment
- Available in standard and EMC configurations

The cases feature:

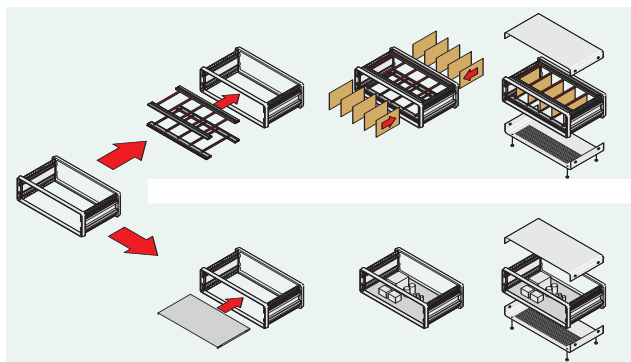
- Rugged construction
- Easy to clean surfaces
- Aesthetic design
- Easily customized
- Accommodates a range of board and component modules
- Wide range of accessories



# compacPRO



- Cost effective, rugged case for desktop or portable applications
- Pre-mounted, empty case for individual assembly
- Flexible assemblies, prepared for 19" components or individual assembly, e.g. with chassis plate
- Die-cast frame front and rear, highly stable through one-piece design and panel dimensioning
- Wide range of accessories, coordinated for mobile applications
- Non-sensitive, scratch-resistant surfaces through powder coating up-to-date color design
- Top cover and base plate removable subsequently
- Full-width front panel without visible screws
- Individual mounting service from 1 case
- Full range of accessories including tip-up handles, filler panels and equipment mounting

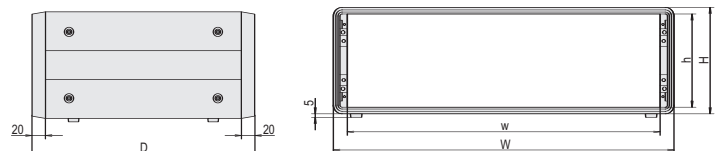


**Delivery includes** (kit, item 1 and 2 assembled)

Item	Qty	Description
1	2	Side panel, Al extrusion, RAL 7016
2	2	Frame, Al die-cast, RAL 7016
3	1	Cover, Al, 1.5mm, RAL 9006, with GND/earthing connection
4	1	Base with perforation, Al, 1.5mm, RAL 9006, with GND/earthing connection
5	4	Case foot with anti-slip protection, PC, black
6	8	Mounting adapter cover plate, pre-mounted
7	1	The assembly kit allows to assemble a full-width front panel and a rear panel additionally

**Ordering Information**

Height U	Usable width HP	Width W mm	Width w mm	Height H mm	Height h mm	Depth D mm	Order no.
2	42	257	219	102.6	84.4	271	<b>14575-023</b>
2	42	257	219	102.6	84.4	331	<b>14575-025</b>
2	42	257	219	102.6	84.4	391	<b>14575-027</b>
2	84	471	432	102.6	84.4	271	<b>14575-063</b>
2	84	471	432	102.6	84.4	331	<b>14575-065</b>
2	84	471	432	102.6	84.4	391	<b>14575-067</b>
3	28	186	148	147.1	129.3	271	<b>14575-103</b>
3	28	186	148	147.1	129.3	331	<b>14575-105</b>
3	42	257	219	147.1	129.3	271	<b>14575-123</b>
3	42	257	219	147.1	129.3	331	<b>14575-125</b>
3	42	257	219	147.1	129.3	391	<b>14575-127</b>
3	63	364	326	147.1	129.3	271	<b>14575-143</b>
3	63	364	326	147.1	129.3	331	<b>14575-145</b>
3	63	364	326	147.1	129.3	391	<b>14575-147</b>
3	84	471	432	147.1	129.3	271	<b>14575-163</b>
3	84	471	432	147.1	129.3	331	<b>14575-165</b>
3	84	471	432	147.1	129.3	391	<b>14575-167</b>
3	84	471	432	147.1	129.3	451	<b>14575-169</b>
3	84	471	432	147.1	129.3	511	<b>14575-171</b>
4	42	257	219	191.6	173.8	271	<b>14575-223</b>
4	42	257	219	191.6	173.8	331	<b>14575-225</b>
4	63	364	326	191.6	173.8	271	<b>14575-243</b>
4	63	364	326	191.6	173.8	331	<b>14575-245</b>
4	63	364	326	191.6	173.8	391	<b>14575-247</b>
4	84	471	432	191.6	173.8	331	<b>14575-265</b>
4	84	471	432	191.6	173.8	391	<b>14575-267</b>
4	84	471	432	191.6	173.8	451	<b>14575-269</b>
4	84	471	432	191.6	173.8	511	<b>14575-271</b>



For more product information  
visit us at [www.schroff.us/oneclick](http://www.schroff.us/oneclick)  
Type Order No. into oneClick and click "search"

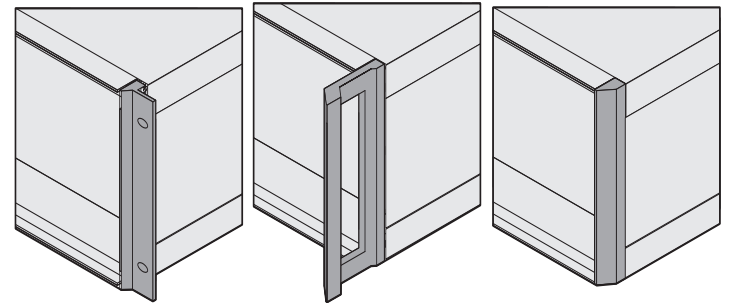
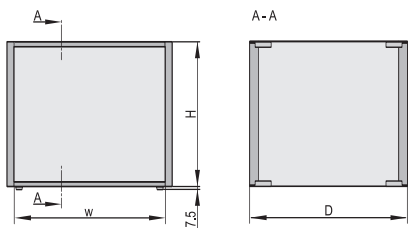
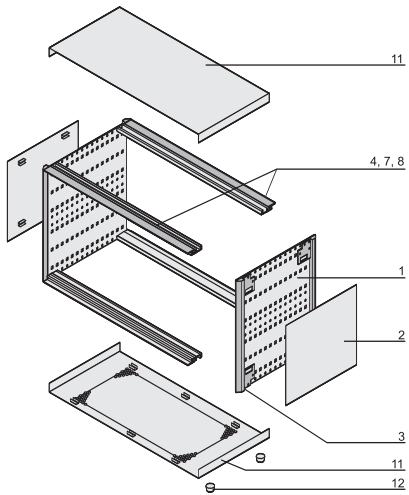
# ratiopacPRO



**Delivery includes (in kit form)**

Item	Qty	Description
1	2	Side panel, Al passivated
2	2	Side trim, Al, visible surface powder coated, RAL 9006
3	2	Rear trim, Zn die-cast, powder coated, RAL 7016
3a	2	Front trim, Zn die-cast, powder coated, RAL 7016
3b	2	Front handle, Al die-cast, powder coated, RAL 7016
3c	2	19" mounting angle, Al die-cast, powder coated, RAL 7016
4	4	Horizontal rail, Al, visible surface powder coated, RAL 7016
11	2	Top cover and base cover, Al, internal surface conductive, visible surface powder coated, RAL 9006, with GND/earthing tag, base cover with vent slots
12	4	Case foot, PC, black, with anti-slip protection
13	1	Assembly kit

**ratiopacPRO/ratiopacPRO/air**



Width HP	Depth mm	side Panel Classification (1U-3U-1U) (3U-2U)					
		2U Order no.	3U Order no.	4U Order no.	5U Order no.	6U Order no.	

**With Front Handle**

84	255.5	-	24571-738	-	-	-	-
84	315.5	-	24571-741	24571-789	24572-252	24572-396	24571-837
84	375.5	-	24571-742	24571-790	24572-253	24572-397	24571-838
84	435.5	-	24571-743	24571-791	24572-254	24572-398	24571-839
84	495.5	-	24571-744	-	-	-	24571-840

**With Bezel**

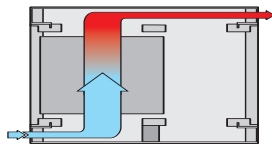
84	255.5	24572-530	24571-038	-	-	-	-
84	315.5	24572-533	24571-041	24571-089	24572-156	24572-300	24571-137
84	375.5	24572-534	24571-042	24571-090	24572-157	24572-301	24571-138
84	435.5	24572-535	24571-043	24571-091	24572-158	24572-302	24571-139
84	495.5	-	24571-044	-	-	-	24571-140

**With 19" Mounting Bracket**

84	255.5	24572-570	24571-738	24571-486	-	-	-
84	315.5	24572-573	24571-741	24571-489	-	-	24571-537
84	375.5	24572-574	24571-742	24571-490	24572-205	24572-349	24571-538
84	435.5	24572-575	24571-743	24571-491	24572-206	24572-350	24571-539
84	495.5	-	-	-	-	-	24571-540

**RatiopacPro construction**

- Available in three versions:
  - with bezel
  - with front handle
  - with 19" brackets



- EMC shielding upgrade available
- Symmetrical design, identical front and rear

For complete info on all specifications and accessories visit [www.schroff.us](http://www.schroff.us)

# comptec



19" case 6-12U



- Perfect desktop "cabinet"
- Case to accommodate 19" equipment
- Height from 1U up to 12U
- Type of protection IP 20
- High stability
- Front and rear panel identical, depth-symmetrical assembly
- Factory assembled with protective GND/earthing connection
- Cover, base and rear panel made out of steel

### Typical modifications:

- Special colors
- Customized cut-outs in rear panels, front panels, cover and base plates
- Special depths

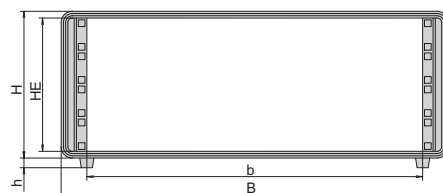
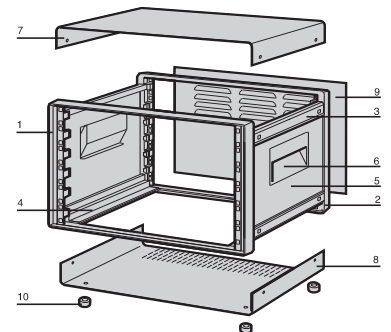
### Delivery Comprises (kit)

Item	Qty	Description
1	1	Front frame
2	1	Rear Frame
3	2	Side profile at top
4	2	Side profile at bottom
5	2	Side panel, St
6	2	Handle shell
7	1	Cover
8	1	Base
9	1	Rear Panel
10	4	Case foot
11	1	Assembly kit

### Ordering Information

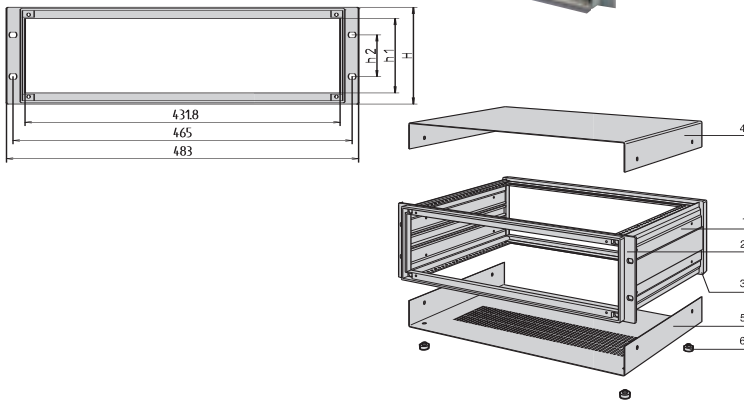
Height U	Height H mm	Height h mm	Depth D mm	Usable Depth d mm	Order no.
6	286	13	300	276	<b>10225-604</b>
6	286	13	400	376	<b>10225-615</b>
6	286	13	500	476	<b>10225-626</b>
6	286	13	600	576	<b>10225-637</b>
7	331	13	400	376	<b>10225-616</b>
7	331	13	500	476	<b>10225-627</b>
7	331	13	600	576	<b>10225-638</b>
9	420	13	400	376	<b>10225-618</b>
9	420	13	500	476	<b>10225-629</b>
9	420	13	600	576	<b>10225-640</b>
9	420	13	400	376	* <b>10225-667</b>
9	420	13	500	476	* <b>10225-682</b>
9	420	13	600	576	* <b>10225-693</b>
12	553	13	400	376	* <b>10225-670</b>
12	553	13	500	476	* <b>10225-685</b>
12	553	13	600	576	* <b>10225-696</b>

\*All covers



For more product information  
visit us at [www.schroff.us/oneclick](http://www.schroff.us/oneclick)  
Type Order No. into oneClick and click "search"

# inpac



- Rugged 19" chassis with high mechanical stability
- Front and rear frame Al-diecast
- Modular design
- Easily accommodates electronic components

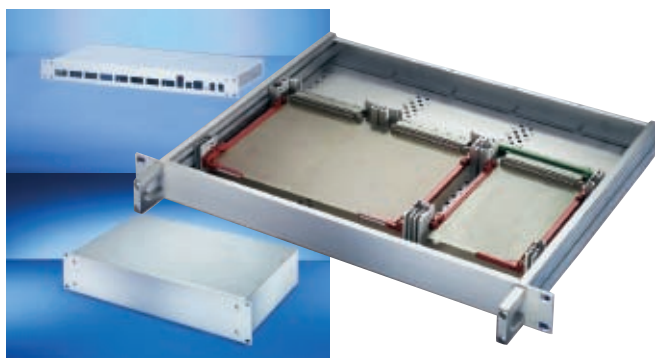
### Delivery includes (kit)

Item	Qty	Description
1	2	Side panel, Al extrusion
2	1	Front frame, Al die-cast
3	1	Rear frame, Al die-cast
4	1	Cover, St
5	1	Base, St
6	4	Case foot
7	1	Assembly kit

### Ordering Information

Height H	Height U	h	h1	h2	Depth D	Order no.
mm	mm	mm	mm	mm	mm	
2	88	86	57.5	76.2	254.5	<b>10828-071</b>
2	88	86	57.5	76.2	314.5	<b>10828-072</b>
2	88	86	57.5	76.2	374.5	<b>10828-073</b>
3	132.5	130.5	102	57.15	254.5	<b>10828-051</b>
3	132.5	130.5	102	57.15	314.5	<b>10828-052</b>
3	132.5	130.5	102	57.15	374.5	<b>10828-053</b>
3	132.5	130.5	102	57.15	434.5	<b>10828-054</b>
4	177	174.5	146.5	101.6	254.5	<b>10828-056</b>
4	177	174.5	146.5	101.6	314.5	<b>10828-057</b>
4	177	174.5	146.5	101.6	374.5	<b>10828-058</b>
4	177	174.5	146.5	101.6	434.5	<b>10828-059</b>
6	265.9	263.5	235.4	190.5	374.5	<b>10828-068</b>
6	265.9	263.5	235.4	190.5	434.5	<b>10828-069</b>

# multipacPRO



- 19" rackmount modular 1U & 2U cases
- Perfect alternative for "pizza box" applications for low volume requirements
- Sheet metal version for volume opportunities
- EMC option

### Delivery includes (kit)

Item	Qty	Description
1	1	Front panel, Al extrusion, 2 mm, front anodized, rear etched (at 1U), colorless chromated front and rear side of front panel, from 2 U clear chromate
2	1	Base body plain, St, 1 mm, (AlZn coated)
3	1	Rear panel, St, 1 mm, (AlZn coated)
4	1	Cover, St, 1 mm, (AlZn coated)
7	1	Assembly kit

### Ordering Information

Height U	Height mm	Depth mm	Order no.
1	43.7	220	<b>20860-120</b>
1	43.7	280	<b>20860-121</b>
1	43.7	340	<b>20860-122</b>
2	88.1	280	<b>20860-126</b>
2	88.1	340	<b>20860-127</b>

**Front handles** For 1 U, Al extrusion, anodized, U 2 pieces **20860-256**

**Front handles** For 2 U, Al extrusion, anodized, U 2 piece **20860-257**



We are where you are



## www.schroff.us

### Pentair Technical Products Groups

#### USA

##### **Pentair Electronic Packaging**

170 Commerce Drive  
Warwick RI 02817  
USA  
Tel. +1 (401) 732-3770

14100 Danielson Street  
Poway, CA 92064  
Tel.: +1 (858) 679-4550  
Fax: +1 (858) 679-4555  
Toll free (888) 957-8291  
www.schroff.us

#### EUROPE

**Schroff GmbH**  
Langenalber Straße 96-100  
75334 Straubenhardt  
Deutschland  
Tel. +49 (0)7082 794-0  
www.schroff.de

#### **Schroff UK Ltd.**

Maylands Avenue  
Hemel Hempstead  
Herts HP2 7DE  
Great Britain  
Tel. +44 (0)1442 240 471  
www.schroff.biz

#### **Schroff SAS**

Z.I. 4, rue du Marais  
Boîte Postale 16  
67660 Betschdorf  
France  
Tel. +33 (0)3 88 90 64 90  
www.schroff.biz

#### **Schroff Scandinavia AB**

Flygfältsgatan 11  
P.O. Box 2003  
12821 Skarpnäck  
Sweden  
Tel. +46 (0) 8 683 61 00  
www.schroff.se

#### **Schroff Scandinavia AB**

Peräsimentie 8  
FIN-03100 Nummela  
Finland  
Tel. +358 9 222 68 00  
www.schroff.fi

#### **Schroff S.r.l.**

Via Brughiera 1  
20010 Pregnana Milanese (MI)  
Italy  
Tel. +39 02 932 714-1  
www.schroff.biz

#### **Schroff GmbH/ Sp.z.o.o./-oddzial w Polsce**

ul. Marynarska 19A  
PL-02-674 Warszawa  
Poland  
Tel. +48 (0) 22 607 06 16  
www.schroff.pl

#### ASIA

##### **Schroff K.K.**

Nisso No.13 Bldg. 4F  
2-5-1 Shinyokohama, Kohoku-ku  
Yokohama-shi  
Kanagawa 222-0033  
Japan  
Tel. +81 (0)45 476 02 81  
www.schroff.co.jp

##### **Pentair Technical Products China**

Shuangyuan Rd. South, Liuting,  
Chengyang District  
(Airport Ind. Zone)  
Qingdao, PC 266108  
PR China  
Tel. +86 532-8771 6101  
www.schroff.biz