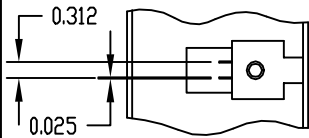


PART NAME

10" EXHAUST FAN

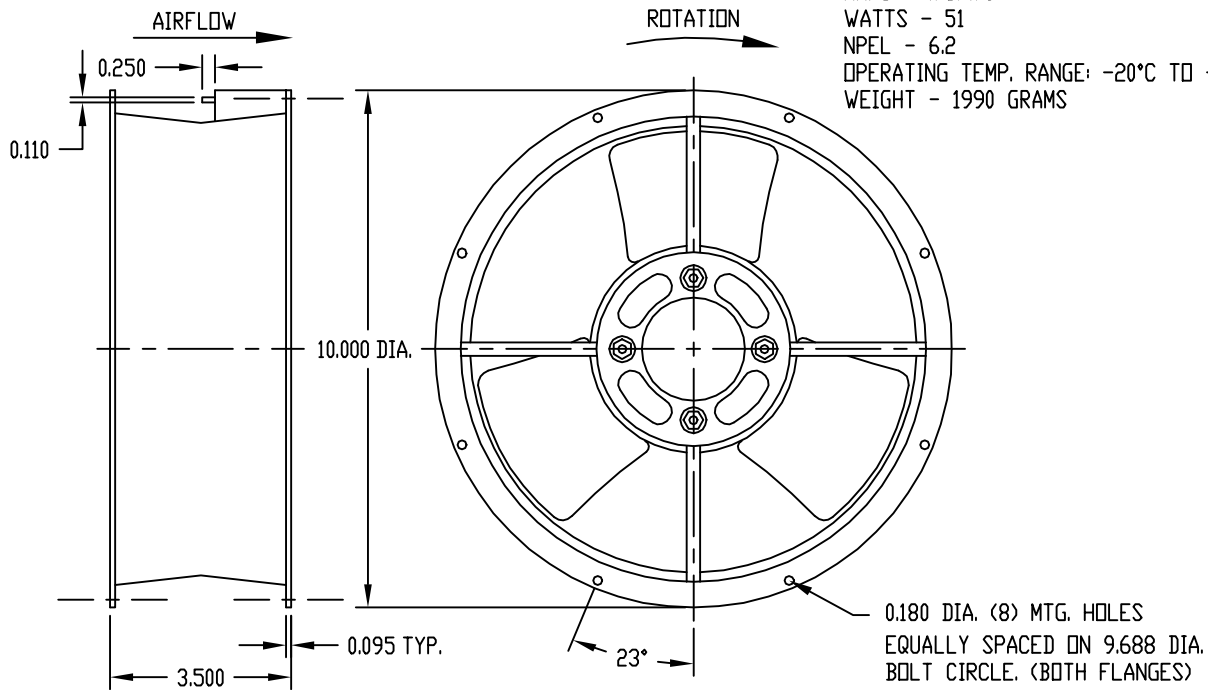
PART No.

FN-1282



FAN

HOUSING - ALUMINUM  
 STRUTS on: - DISCH  
 BEARING - BALL  
 VOLTAGE - 115  
 FREQUENCY - 50/60  
 CFM - 535  
 AMPS - .78/.70  
 WATTS - 51  
 NPEL - 6.2  
 OPERATING TEMP. RANGE: -20°C TO +60°C  
 WEIGHT - 1990 GRAMS

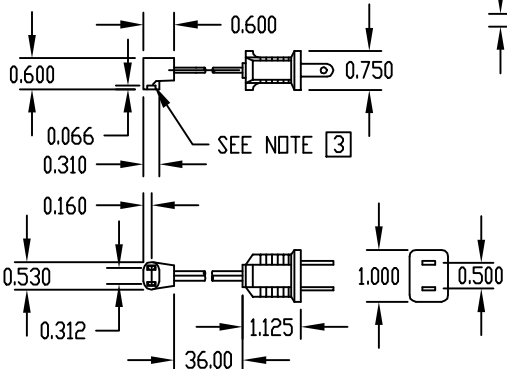
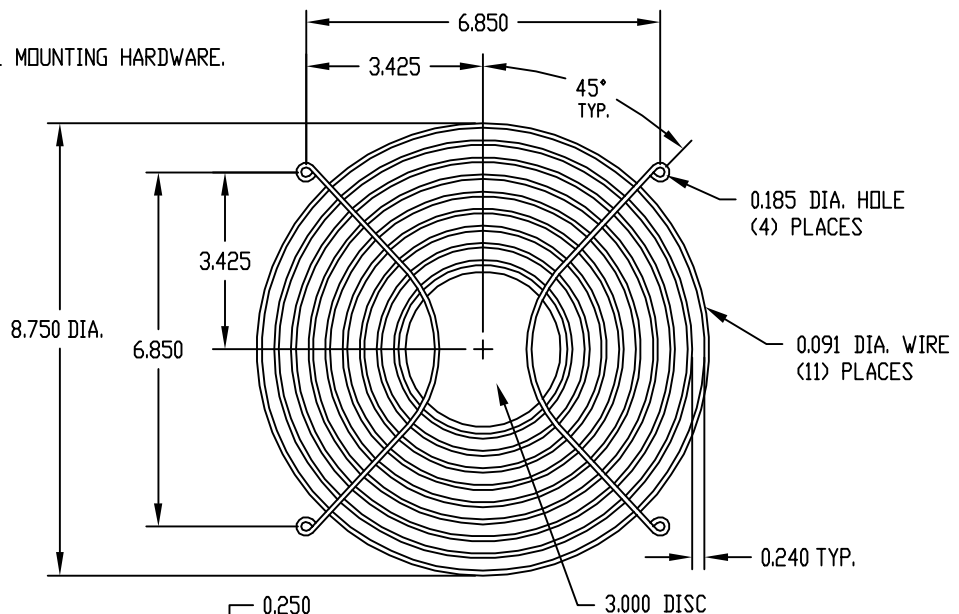


NOTE: SUPPLIED WITH ALL MOUNTING HARDWARE.

GUARD

MATERIAL: STEEL WIRE

FINISH: ZINC PLATED



FAN CORD

- [1] MATERIAL:
  - a) LEADS-SPT-1 18AWG 105° C. INSULATION. (COLOR BLACK)
  - b) PLUG-PVC UL 105° C. (COLOR BLACK)
  - c) TERMINAL-PHOSPHOR BRONZE
- [2] UL RATED-E61080, CSA APPROVED-LR35931
- [3] TERMINALS TO BE PRE-TINNED & MUST BE FREE OF FLASH.