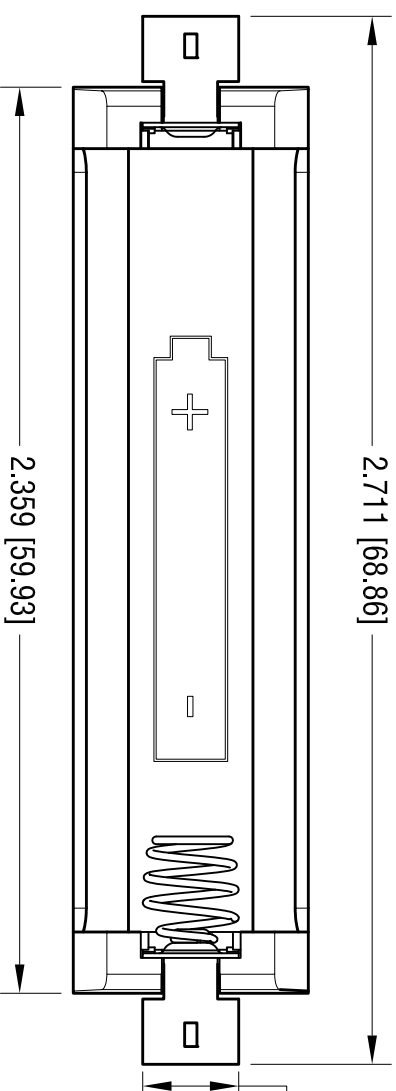
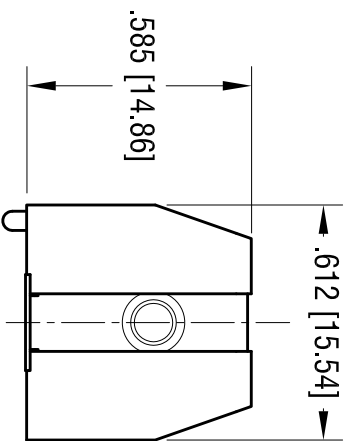
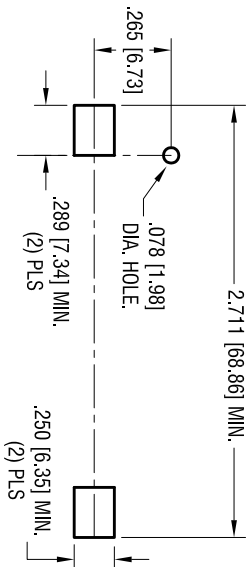
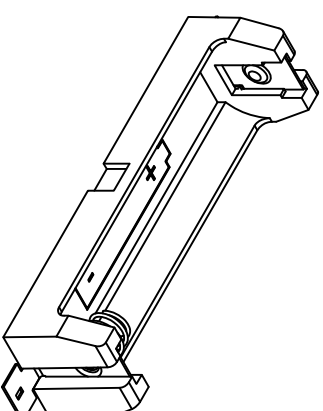
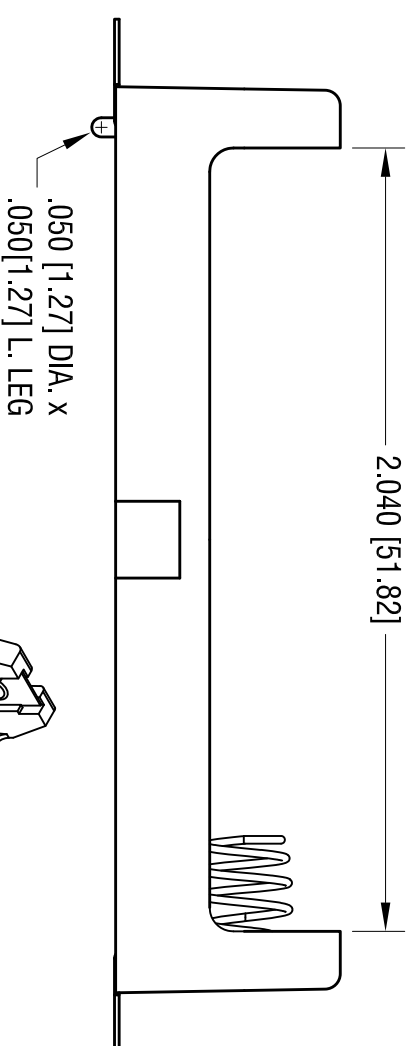


MOUNTING PAD LAYOUT



.250 [6.35]
(2) PLS



NOTE:

1. BASE:

MAT'L: HEAT RESISTANCE NYLON
STANVL 46 OR EQUIVALENT

2. CONTACTS:

MAT'L: BASE-.012 [0.30] THK STAINLESS STEEL
SPRING-.020 [0.50] DIA. MUSIC WIRE
FINISH: GOLD FLASH, OVER NICKEL PLATE.

DATE

DESCRIPTION

REV.

KEYSTONE ELECTRONICS CORP.

www.keyelco.com • ASTORIA, N.Y. 11105-2017 • Tel (718) 956-8900

PART NAME

SMT SINGLE BATTERY HOLDER, AA

MATERIAL

AS NOTED

FINISH

AS NOTED

TOLERANCES	INCH	[MM]	CODE
DECIMAL	± .010	[± 0.25]	C
ANGULAR	± 2.27.13		

UNLESS OTHERWISE SPECIFIED

DRN BY	DATE
NT	6.12.14

App'D LN SCALE 2X

DWG NO.

1088