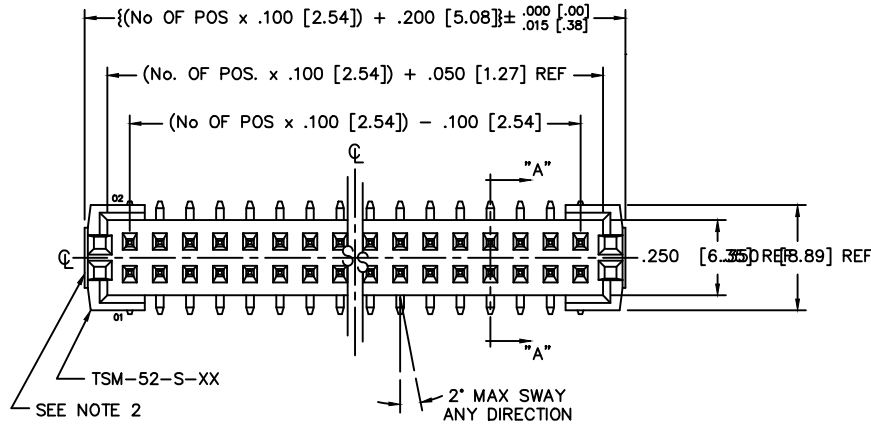


REVISION AF

DIMENSIONS ARE IN INCHES		UNLESS OTHERWISE NOTED	TOLERANCES ARE:	TITLE: .100" C.L. SHROUDED TERMINAL ASSEMBLY	DWG NO: TSSH-1XX-XX-XX-XX-XX-XX
ONE PLACE DECIMALS ±.1[2.5]	THREE PLACE DECIMALS ±.005[.13]	ANGLES ± 2°			
TWO PLACE DECIMALS ±.01[.3]	FOUR PLACE DECIMALS ±.0020[.051]				SHEET 1 OF 2

DO NOT SCALE  
FROM THIS PRINT

FIG. 1



TSSH-1XX-XX-XX-XX-XX-XX

NO. OF POSITIONS  
-05 THRU -36 (PER ROW)  
LEAD STYLE  
-01

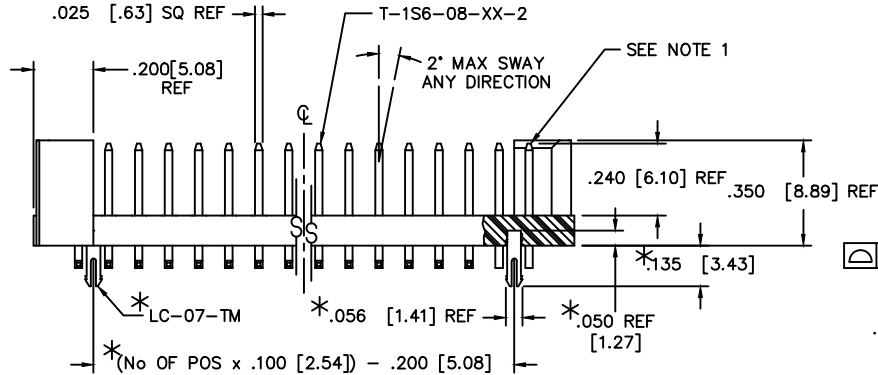
PLATING:  
-S: SELECTIVE, 30 Au / 50 Ni ON CONTACT, MATTE TIN TAIL  
-T: MATTE TIN CONTACT AND TAIL  
-G: GOLD, 10 Au / 50 Ni ON CONTACT, 3 Au / 50 Ni MIN ON TAIL  
-F: FLASH SELECTIVE, 3 Au / 50 Ni MIN ON CONTACT, MATTE TIN TAIL  
-L: LIGHT SELECTIVE, 10 Au / 50 Ni MIN ON CONTACT, MATTE TIN TAIL  
-H: HEAVY GOLD, 30 Au / 50 Ni MIN ON CONTACT, 3 Au / 50 Ni MIN ON TAIL  
-LM: SELECTIVE LIGHT, 10 Au / 50 Ni MIN ON CONTACT, MATTE TIN TAIL  
-FM: FLASH SELECTIVE, 3 Au / 50 Ni MIN ON CONTACT, MATTE TIN TAIL  
-SM: SELECTIVE, 30 Au / 50 Ni MIN ON CONTACT, MATTE TIN TAIL  
-TM: MATTE TIN CONTACT AND TAIL

OPTION 2  
-LC: LOCKING CLIP (SEE FIG. 1)(SEE NOTE 5)(DV ONLY)  
-A: ALIGNMENT PIN (SEE FIG. 2, SHEET 2) (DV ONLY)  
-P: PICK & PLACE PAD USE PPP-06 (SEE FIG. 4) (DV ONLY)  
-M: METAL PICK & PLACE PAD USE MPP-01 (SEE FIG. 5) (DV ONLY)  
-TR: TAPE & REEL (-05 THRU -28 POS) (DV ONLY)

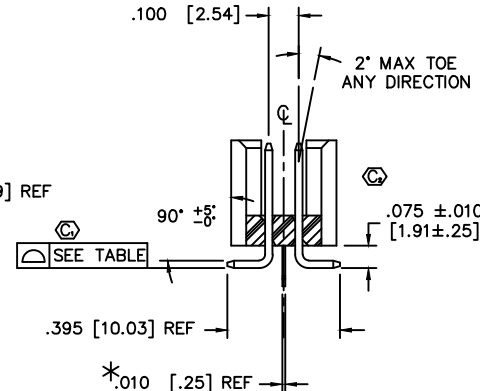
OPTION 1  
POLARIZED POSITIONS  
SPECIFY OMITTED PINS

ROW SPECIFICATION  
-DV: DOUBLE VERTICAL  
-D: THROUGH HOLE

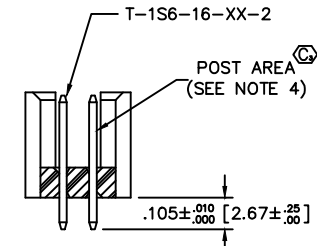
COPLANARITY	
POSITION	
05-10	.004
11-24	.006
25-36	.008



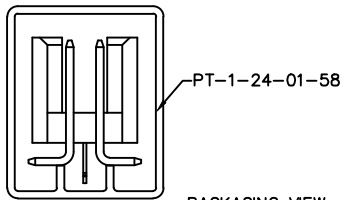
(\* ) DIMENSIONS APPLY ONLY WHEN USING THE -LC OPTION.



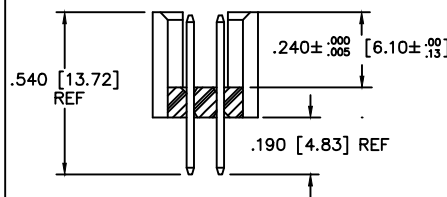
SECT. "A-A"  
-DV ROW



SECT. "A-A"  
-D ROW  
[DIFFERENT AS SHOWN, OTHERWISE SAME AS -DV ROW]



PACKAGING VIEW  
(SEE NOTE 2)



IN-PROCESS  
(DV ONLY)

**PROPRIETARY NOTE**  
THIS DOCUMENT CONTAINS INFORMATION CONFIDENTIAL AND PROPRIETARY TO SAMTEC INC. AND SHALL NOT BE REPRODUCED OR TRANSMITTED TO OTHER DOCUMENTS OR DISCLOSED TO OTHERS OR USED FOR ANY PURPOSE OTHER THAN THAT FOR WHICH IT WAS OBTAINED WITHOUT THE EXPRESSED WRITTEN CONSENT OF SAMTEC INC.

- NOTE:
1. MAXIMUM CUT FLASH ALLOWED IS .010" IN THIS AREA ONLY.
  2. PACKAGE IN PT-1-24-01-58 TUBE WITH TWO TP-13 PLUGS PER TUBE.
  3. Ⓢ REPRESENTS A CRITICAL DIMENSION.
  4. FILL -T PLATED PINS THE SAME AS SELECTIVE TO REDUCE BANDOLIER MARKS IN THE POST AREA.
  5. DUE TO THE HIGH AMOUNT OF INSERTION FORCE NEEDED, THE -LC OPTION IS NOT COMPATIBLE WITH AUTO PLACEMENT. SAMTEC RECOMMENDS MANUAL PLACEMENT FOR ALL ASSEMBLIES WITH THE -LC OPTION.
  6. INSULATOR MATERIAL: BLACK, LCP, UL 94 V0

520 PARK EAST BLVD. NEW ALBANY, INDIANA 47150  
 PHONE (812) 944-6733 P.O. BOX 1147  
 CODE 55322  
 MADE BY: BRATCHER 10-30-97  
 TSSH-1XX-XX-XX-XX-XX-XX  
 SHEET 1 OF 2