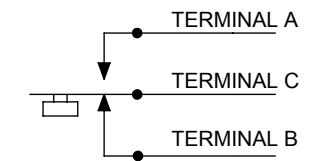
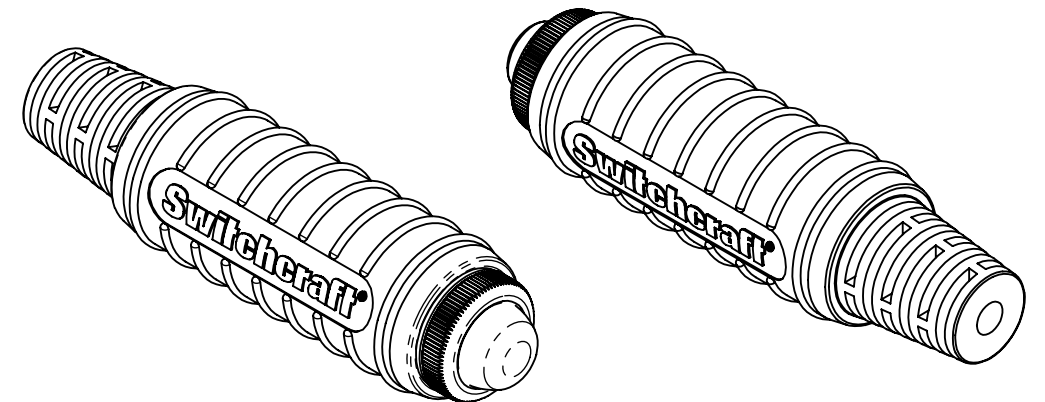


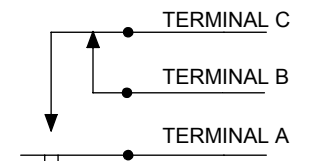
913S/913DS MOMENTARY SWITCH HOUSING - NICKEL PLATED, COPPER ALLOY
BUTTON SEAL - THERMOPLASTIC, BLACK
INSULATORS - RIGID PLASTIC
TERMINALS - SILVER PLATED, COPPER ALLOY
O-RING - THERMOPLASTIC RUBBER

WHITE DOT ON BACK OF SWITCH DESIGNATES "1-D" CIRCUIT

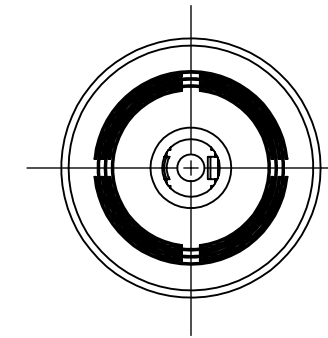
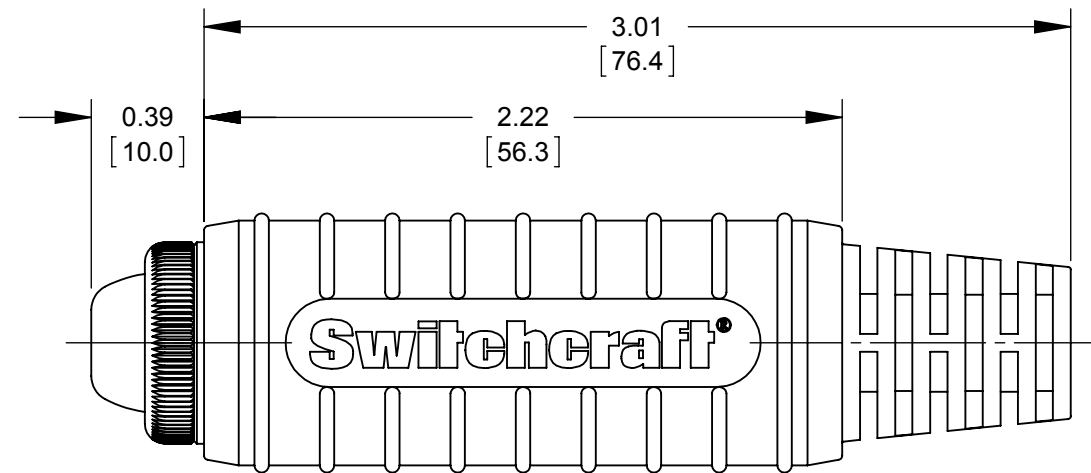
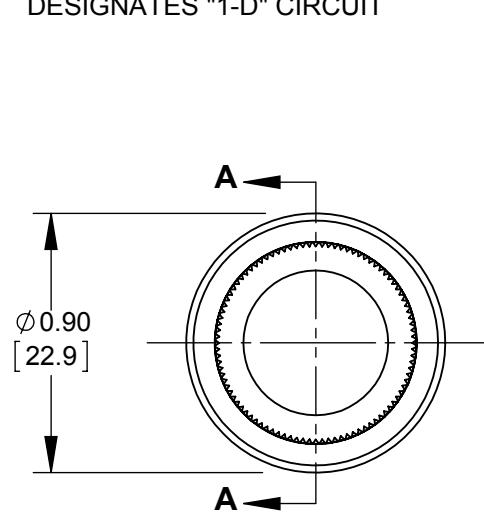
SEALING HANDLE
HANDLE - THERMOPLASTIC, BLACK
OVERMOLD - THERMOPLASTIC RUBBER, BLACK



913S SCHEMATIC
1C - CIRCUIT



913DS SCHEMATIC
1D - CIRCUIT



| PART NUMBER | SEALED BUTTON SWITCH | SWITCH CIRCUIT | CABLE NOMINAL O.D. RANGE |
|-------------|----------------------|----------------|--------------------------|
| EP913S14 | 913S | 1 - C | 0.140 - 0.170 |
| EP913S17 | | | 0.170 - 0.200 |
| EP913S20 | | | 0.200 - 0.230 |
| EP913S23 | | | 0.230 - 0.255 |
| EP913DS14 | 913DS | 1 - D | 0.140 - 0.170 |
| EP913DS17 | | | 0.170 - 0.200 |
| EP913DS20 | | | 0.200 - 0.230 |
| EP913DS23 | | | 0.230 - 0.255 |

CUSTOMER DRAWING

NOTES:

1. COMPLETED ASSEMBLY ON CABLE MEETING MINIMUM REQUIREMENT SPECIFICATIONS SHALL MEET IP67 RATING.
2. OUTER JACKET OF CABLE USED IN ASSEMBLY MUST BE SMOOTH, ROUND, FLEXIBLE, AND FALL WITHIN THE SPECIFIED CABLE RANGE PER THE HANDLE.
3. USING CABLE OD CLOSER TO THE CABLE RANGE MAXIMUM PER HANDLE WILL ENSURE A MORE SECURE SEAL.
4. SWITCH AND O-RING SHIPPED UNASSEMBLED.
5. THIS PART IS RoHS COMPLIANT.

| REV | ECO NUMBER | DATE | BY | APVD |
|-----------|------------|---------|----|------|
| A | 27625 | 12-9-15 | TO | TJK |
| REVISIONS | | | | |

UNLESS OTHERWISE SPECIFIED
 1. ALL DIMENSIONS IN INCHES [mm]
 - TWO PLACE DECIMALS ±0.02 [0.5]
 - THREE PLACE DECIMALS ±0.005 [0.13]

DO NOT SCALE DRAWING

| | | | | | | | | | | |
|--|-------|------|-------|---------------------|----------|--|----------------|--|-----|---|
| THIS DRAWING DESCRIBES A DESIGN CONSIDERED PROPRIETARY IN NATURE, DEVELOPED AND MANUFACTURED BY SWITCHCRAFT INC. AND IS RELEASED ON A CONFIDENTIAL BASIS FOR IDENTIFICATION PURPOSES ONLY. | | | | | | | | | | |
| SIZE | WIDTH | MULT | LBS/M | TEMPER | | | | | | |
| FINISH | | | | | MATERIAL | | | | | |
| SPEC No. | | | | | SPEC No. | | | | | |
| FIRST USED ON | | | | | SCALE | | | | | |
| - | | | | | 3:2 | | | | | |
| DATE DRAWN | BY | CHKD | APVD | Switchcraft® | | | | | | |
| 02/29/12 | TS | TS | TJK | | | | | | | |
| NAME | | | | SHEET | | | 1 | | OF | 1 |
| SEALED CORD SWITCH ASSEMBLY, RoHS | | | | PART No. | | | EP913_S_SERIES | | REV | A |