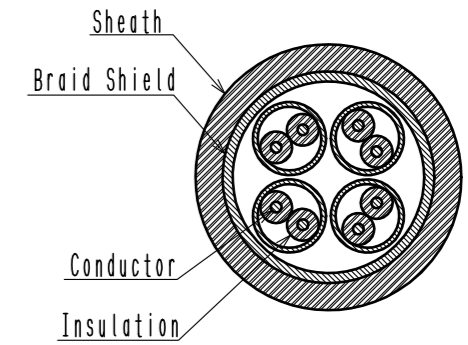


Notes. 1. Applicable cable condition is shown below.
 In case of using a not applicable cable, please contact our sales representative.
 Refer to the technical specification (ETAD-E3162-00) for wiring and assembly procedure.

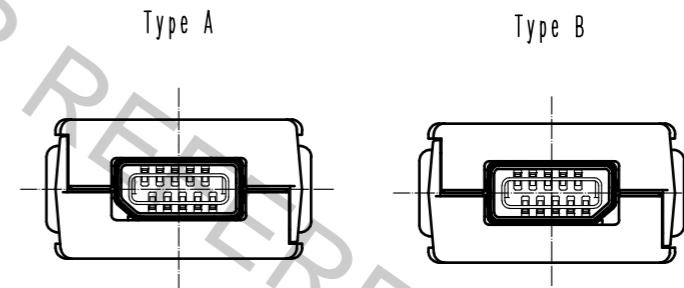
Applicable Cable

Items		Applicable Condition
Conductor	Size	AWG24
	Composition	7 stranded
	Material	Annealed copper wire
Insulation O. D.		φ1.1 to 1.25mm
Braid Shield		Tin plating
Sheath O. D.		φ6.3 to 7.2mm



2. This product (Type B) is used for non Ethernet applications
 like signaling, serial or other industrial bus communication systems.
 Please use Type A for 10/100Mbit/s and 1/10 Gbit/s Ethernet communication.

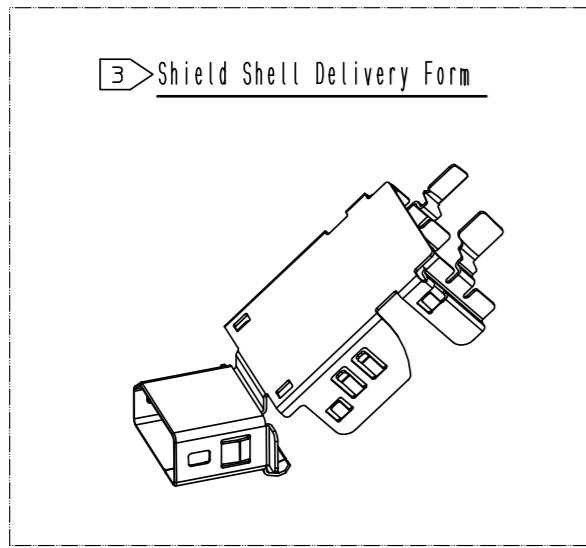
Mating Shape



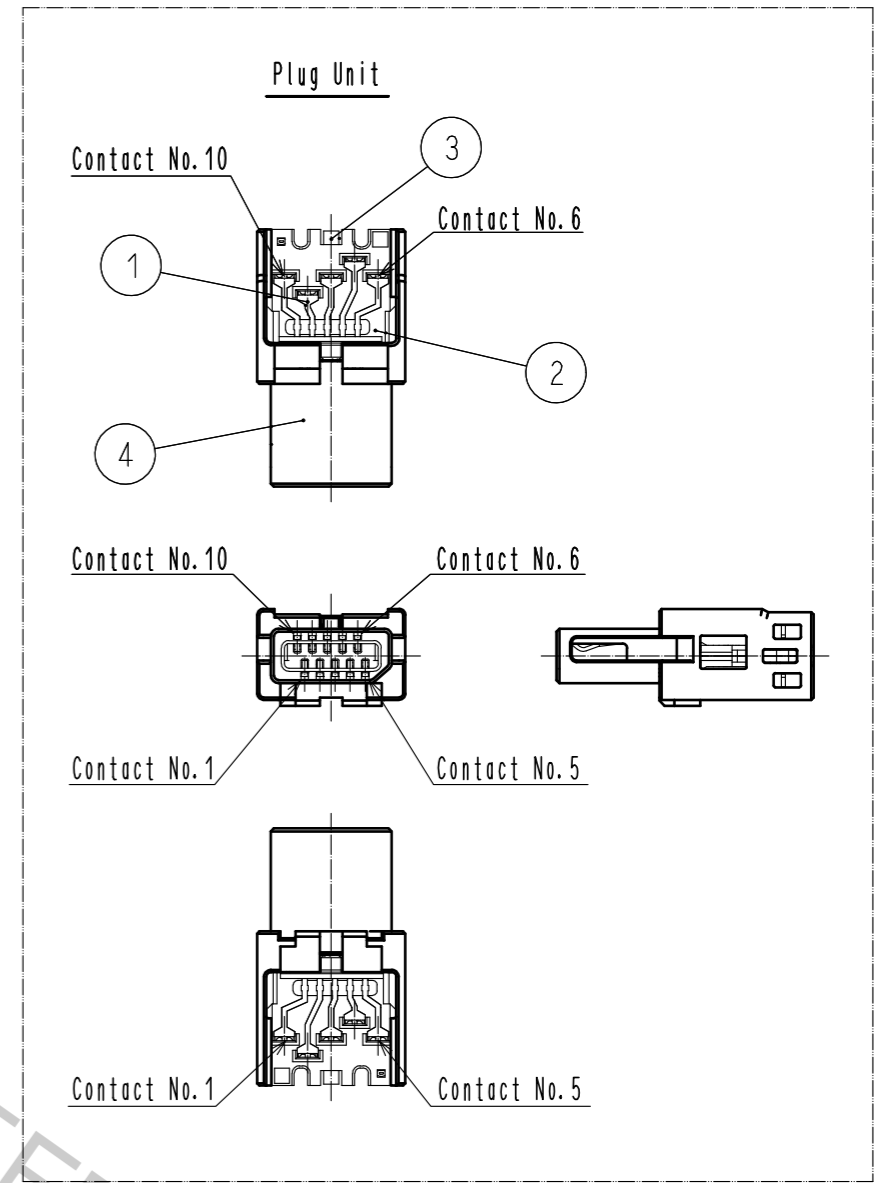
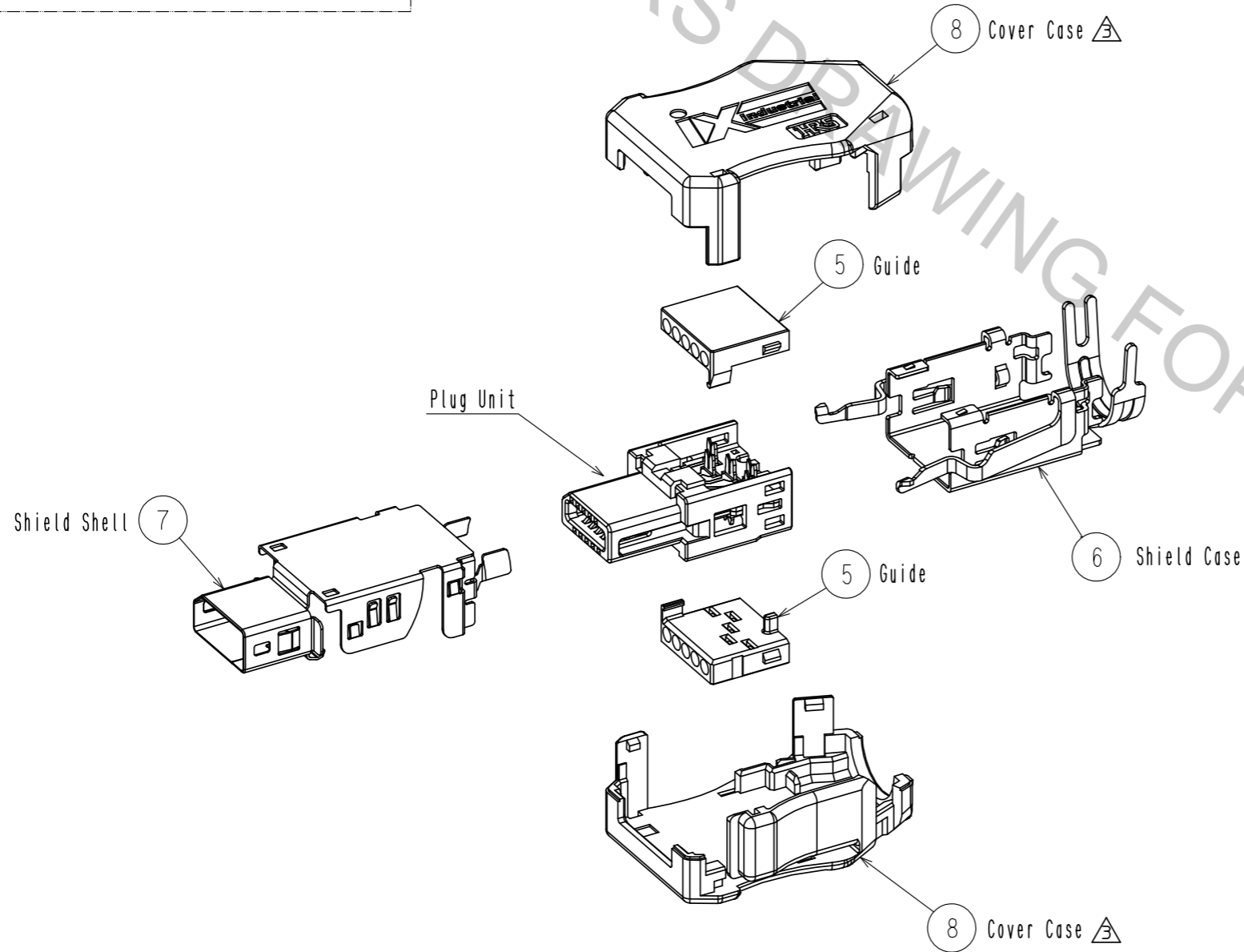
3 This product except plug unit is packed separately by the types of parts.
 Shield Shell is packed in pre-bended state. (See next page.)

4	PA	Black, UL94V-0	8	PC	Dark gray, UL94V-0
3	Stainless Steel		7	Stainless Steel	Nickel 0.2 μm min
2	PA	Dark gray, UL94V-0	6	Stainless Steel	Nickel 1 μm min
1	Copper Alloy	Contact area : Gold 0.2 μm min Wiring area : Gold 0.03 μm min Under plating : Nickel 2 μm min	5	PC	Clear yellow, UL94V-0
NO.	MATERIAL	FINISH . REMARKS	NO.	MATERIAL	FINISH . REMARKS
UNITS mm		SCALE 2 : 1	COUNT 2	DESCRIPTION OF REVISIONS DIS-E-00001437	
DESIGNED SG. CHAMURA		CHECKED KI. NAGANUMA		DATE 18.07.02	
APPROVED : RI. TAKAYASU 17.03.24		DRAWING NO. EDC-129486-00-00			
CHECKED : KI. NAGANUMA 17.03.24		PART NO. IX31G-B-10S-CV(7.0)			
DESIGNED : HT. SATO 17.03.24		CODE NO. CL251-0024-0-00			
DRAWN : HT. SATO 17.03.24					

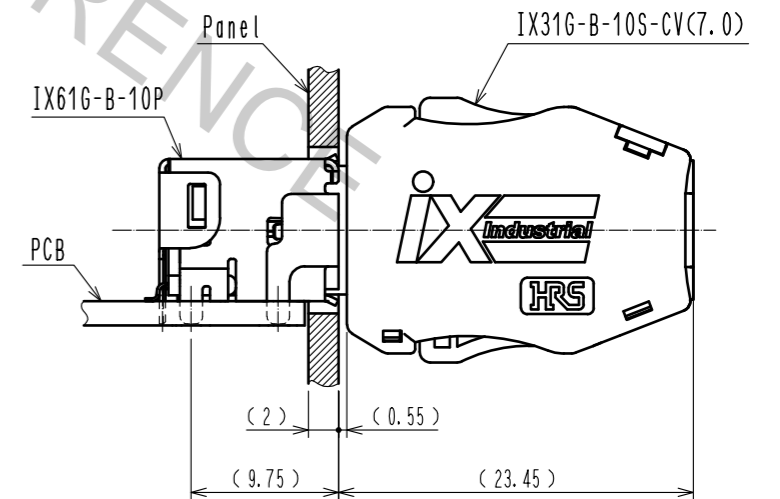
Aug.1.2018 Copyright 2018 HIROSE ELECTRIC CO., LTD. All Rights Reserved.
 In case that the application demands a high level of reliability, such as automotive,
 please contact a company representative for further information.



Product Structure



Mating Condition



HRS	DRAWING NO.	EDC-129486-00-00
	PART NO.	IX31G-B-10S-CV(7.0)
	CODE NO.	CL251-0024-0-00
		\triangle 2/2