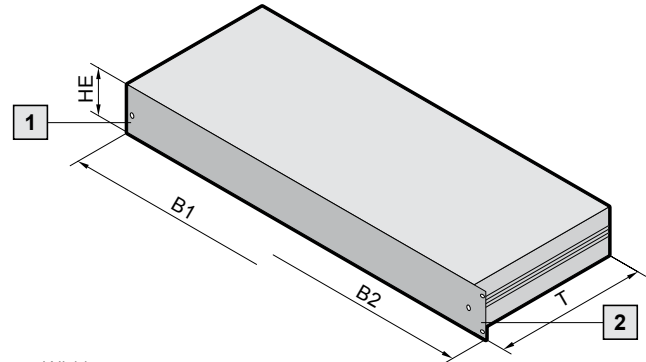
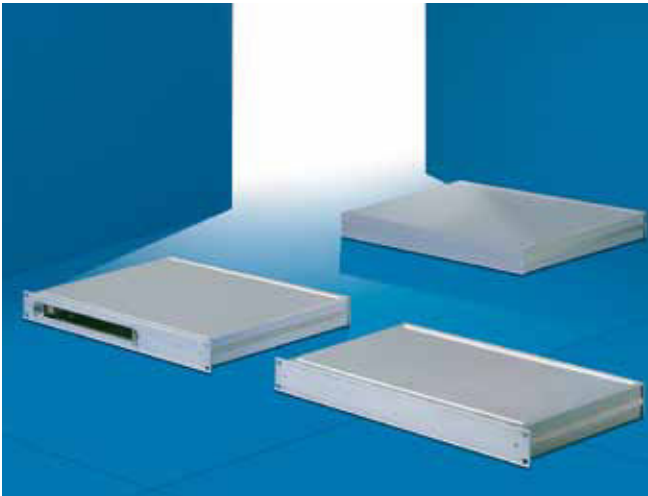


RiBox system enclosure 1 U



B = Width
T = Depth
HE = U

Technical specifications:

System enclosures 1 U, 150, 200, 250, 300, 350 mm deep. Easy to assemble with just 4 screws. Optionally for use as an instrument case or 19" rack-mount enclosure. Front panel to hold an overlay to conceal the screws. Maximum interior space. Optional EMC upgrades with additional EMC gaskets.

Option of installing 1 VME or CPCI board horizontally.

Design:

System enclosure 1 U, to IEC 60 297-1. Optionally available for 19" rackmounting in the enclosure or as an instrument case version.

- 1** Equipped as an instrument case
- 2** Equipped as a rack-mount unit

Material/surface finish:

Side panels: Extruded aluminum section, untreated
Base/cover trays: Aluminum, clear-chromated
Front/rear panel: Extruded aluminum section, clear-chromated
Mounting plate: Sheet steel

U	1	1	1	1	1	-	-
Width (B1) mm	447	447	447	447	447	-	-
Width (B2) mm	19" (482.6)	19" (482.6)	19" (482.6)	19" (482.6)	19" (482.6)	19" (482.6)	19" (482.6)
Depth (T) mm	150	200	250	300	350	250	350
Order No. instrument case	3687.819	3687.820	3687.821	3687.822	3687.823	-	-
Order No. rack case	3687.814	3687.815	3687.816	3687.817	3687.818	-	-
Order No. rack-mount including mounting kit for double Euroboards	-	-	-	-	-	3684.072	3684.073
Supply includes							
Side panel	2	2	2	2	2	2	2
Front panel	1	1	1	1	1	1	1
Rear panel	1	1	1	1	1	1	1
Base/cover tray	2	2	2	2	2	2	2
Mounting kit	-	-	-	-	-	1	1
Accessories							
EMC set	3684.080	3684.080	3684.080	3684.080	3684.080	3684.080	3684.080
Mounting plate	3684.074	3684.075	3684.076	3684.077	3684.078	-	-