

ALC80

SPECIFICATIONS

PA626-01-01A

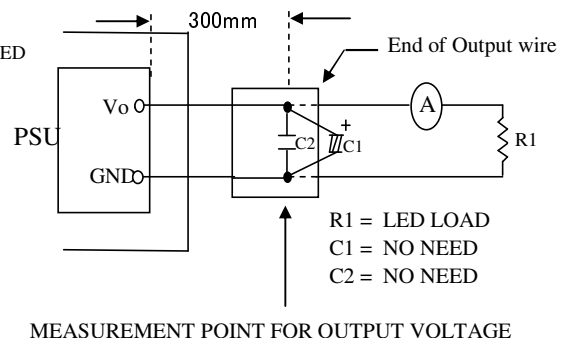
ITEMS		MODEL	ALC80-48-1R7	ALC80-24-3R0	ALC80-24-3R3
1	Nominal Output Current	A	1.7	3	3.3
2	Output Voltage Range (*3)	V	6 ~ 48	6 ~ 24	6 ~ 24
3	Maximum Average Output Power	W	81.6	72	79.2
4	Efficiency (Typ) ; 230VAC (*1)	%	87	86	86
5	Input Voltage Range (*2)	-	90 ~ 305 VAC (47Hz ~ 63 Hz)		
6	Input Current (TYP) ; 100VAC/200VAC (*1)	A	1.07 / 0.50	0.92 / 0.42	1.07 / 0.50
7	Inrush Current (TYP)	A	25 @ 100VAC, 50 @ 200VAC, Ta = 25°C, COLD START		
8	Harmonic Current	-	Built to meet IEC61000-3-2 Class C (Load : 50% ~ 100%)		
9	Power Factor (100VAC/230VAC) (TYP) (*1)	-	0.99 / 0.95		
10	Output Current Accuracy (*3)	-	±5%		
11	Total Regulation (*3)	-	±5%		
12	Short Circuit Protection	-	AUTOMATIC RECOVERY		
13	Over Voltage Protection (*4)	-	>110%		
14	Turn On Time	mS	<1000		
15	Operating Temperature (*7)	°C	-30 ~ +70 (Refer to output derating curve)		
		-	Guarantee start up at -40°C		
16	IP Class	-	IP66		
17	Operating Humidity	%RH	15 ~ 90%RH (NO DEWDROP)		
18	Storage Temperature	°C	-30 ~ +85		
19	Storage Humidity	%RH	15 ~ 90%RH (NO DEWDROP)		
20	Cooling	-	CONVECTION COOLED		
21	Withstand Voltage	%RH	INPUT-OUTPUT...3KVAC, 1 min (20mA Max)		
22	Isolation Resistance	-	>100MΩ AT 25°C AND 70 %RH. INPUT-OUTPUT : 500 VDC		
23	Leakage Current (*5)	mA	<0.25		
24	Vibration	-	10 ~ 55HZ Amplitude less than 1.65mm p-p (max 19.6m/s ²), Sweep 1 min X,Y,Z 30mins each		
25	Shock (In Package)	-	LESS THAN 196.1m/s ²		
26	EMI (Conducted & Radiated Emission)	-	Built to meet EN55015-B ; EN55022-B ; VCCI-B ; CISPR 22-B ; FCC-B		
27	Immunity	-	Built to meet EN61000-4-2(Level 3), -3(Level 3), -4(Level 3), -5(Level 3), -6(Level 3), -8(Level 4),-11		
28	Safety Standard	-	UL8750; CSA C22.2 No.60950-1-07 2nd Ed. ;EN61347-1; EN61347-2-13; CE; DEN-AN 2		
29	Weight (Typ.)	g	500g		
30	DIMENSION (L × W × H)	mm	241 x 43 x 35 (Refer to Outline Drawing)		

* Read instruction manual carefully , before using the power supply unit.

NOTES :

- *1 : AT MAXIMUM AVERAGE OUPUT POWER , Ta = 25°C.
- *2 : FOR CASES WHERE CONFORMANCE TO VARIOUS SAFETY SPECS (UL,CSA,EN, DEN-AN 2) ARE REQUIRED, TO BE DESCRIBED AS 100-240VAC (100-277V FOR USA), 50/60HZ ON NAME PLATE.
- *3 : REFER TO FIG. A FOR MEASUREMENT DETERMINATION OF OUTPUT VOLTAGE/CURRENT REGULATION.
- *4 : OVP CIRCUIT WILL SHUTDOWN OUTPUT, MANUAL RESET (RE-POWER ON).
- *5 : AT 277VAC, 60Hz , Ta = 25°C.
- *6 : ALL PARAMETERS NOT SPECIFICALLY MENTIONED ARE MEASURED @ 230VAC INPUT,RATED LOAD AND Ta = 25°C.
- *7 : FOR CASES WHERE CONFORMANCE TO UL SAFETY SPECS, OPERATING TEMPERATURE IS -30 ~ +50°C.

FIGURE A MEASUREMENT SETUP




ALC80

SPECIFICATION

PA626-01-02

DERATING CURVE

***COOLING : CONVECTION COOLING**

Ta (°C)	LOAD (%)	STANDARD MOUNTING
-30 ~ +50	100	
70	60	

OUTPUT DERATING CURVE

