

1

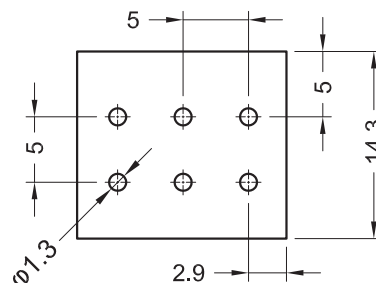
2

3

4

5

PCB Layout



TECHNICAL CHARACTERISTICS

MATERIAL
 INSULATOR: PA 66
 FLAMABILITY RATING: UL94-V0
 COLOR: GREY/WHITE
 WIRE GUARD: STAINLESS STEEL
 CONTACT: BRASS
 SOLDER TAIL PLATING: TIN

ENVIRONMENTAL
 OPERATING TEMPERATURE: -40 UP TO 105°C
 COMPLIANCE: LEAD FREE AND ROHS

ELECTRICAL
 CURRENT RATING: 16A
 WORKING VOLTAGE: 300VAC
 WITHSTANDING VOLTAGE: 1.3KV
 CONTACT RESISTANCE: 20 mOhm max

STANDARD
 CERTIFIED E315414

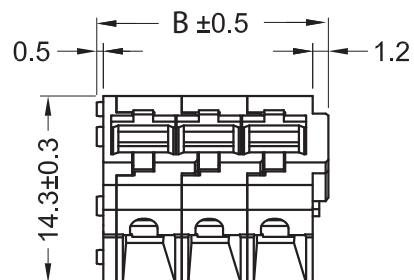
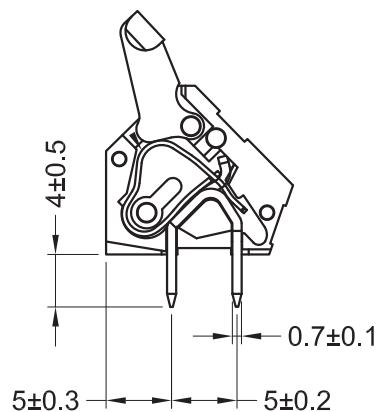
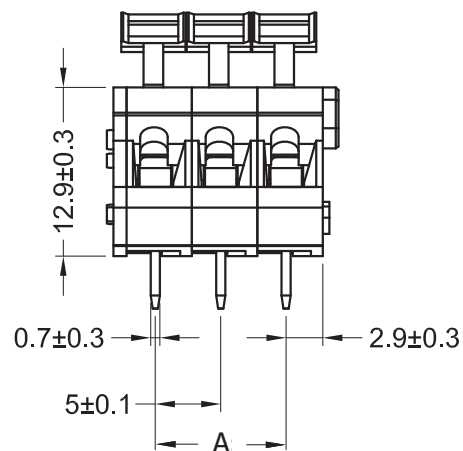
MECHANICAL
 SOLID WIRE: 28-14 AWG / 0.08-2.08 MM²
 STRANDED WIRE: 28-14 AWG / 0.08-2.08 MM²

WIRE STRIPE LENGTH: 6-7 MM
 PITCH: 5.00 MM



SOLDERING
 JEDEC LEAD FREE WAVE SOLDERING

PACKAGING
 BOX

DIMENSION
 A= 5.00 x (NB.PIN - 1)
 B= 5.00 x (NB.PIN - 1) + 1



RoHS Compliant

G				PROJECTION: 	GENERAL TOLERANCE .X = +/- 0.2 .XX = +/- 0.15	 WÜRTH ELEKTRONIK	
F							
E							
D	21-SEP-15	MECHANICAL	AK				
C	13-AVR-15	DWG REVIEW	QP	APPROVAL: FBr	UNIT: MM	DESCRIPTION: SERIE 4147 - 5.00 MM SCREWLESS 45° ENTRY 2.00 MM ² WIRES WR-TBL	
B	29-JUL-13	DWG REVIEW	QL		SCALE:		
A	02-JUL-12	PDF	GG		SHEET: 1/2		WERI PART NO: 691 414 720 0xx B
REV	DATE	FILE	BY		DRAW: MARVIN		

SIZE

A4

1

2

3

4

5

Cautions and Warnings:

This electronic component is designed and developed with the intention for use in general electronics equipments.

Before incorporating the components into any equipments in the field such as aerospace, aviation, nuclear control, submarine, transportation, (automotive control, train control, ship control), transportation signal, disaster prevention, medical, public information network etc. where higher safety and reliability are especially required or if there is possibility of direct damage or injury to human body, Würth Elektronik must be asked for a written approval.

In addition, even electronic component in general electronic equipments, when used in electrical circuits that require high safety, reliability functions or performance, the sufficient reliability evaluation-check for the safety must be performed before by the user before usage.

A

B

C

RoHS Compliant

G				PROJECTION: 	GENERAL TOLERANCE .X = +/- 0.2 .XX = +/- 0.15		
F							
E							
D							
C				APPROVAL: JC	UNIT: MM	DESCRIPTION: DISCLAIMER	SIZE A4
B					SCALE:		
A	10-SEP-14	PDF	QL		SHEET: 2/2	WERI PART NO: DISCLAIMER	
REV	DATE	FILE	BY		DRAW: QL		

D