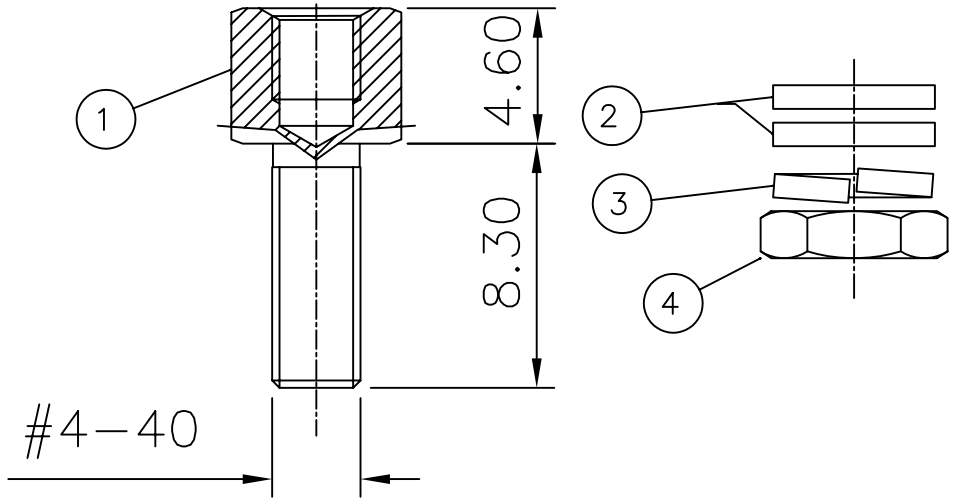
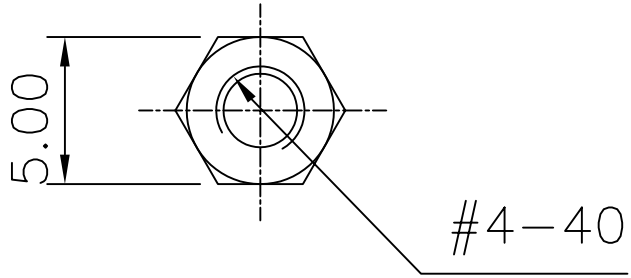


This document is the property of Amphenol Corporation and is delivered on the express condition that it is not to be disclosed, reproduced or used, in whole or in part, for manufacture or sale by anyone other than Amphenol Corporation without its prior consent, & that no right is granted to disclose or to use any information in this document.

REVISIONS				
SYM	ECN	DESCRIPTION	DATE	APPROVED
1			06/17/08	



- ① SCREWS
- ② 2 WASHERS
- ③ LOCK WASHERS
- ④ NUTS



CUSTOMER DRAWING

D-SUB TECHNICAL DATA

Plating : tinned  
 delivered separately  
 1 P/N = 10 lockings  
 2 lockings are necessary for one connector

MARKING:  
 Amphenol...(Series No.)  
 Commercial reference  
 Manufacturing date

UNLESS OTHERWISE SPECIFIED <b>TOLERANCES</b> U.S. METRIC .X +/- 0.50 .XX +/- 0.30 .XXX +/- 0.20 FRACTIONS +/- ANGLES +/- 2°	APPROVAL	DATE	Amphenol®  TITLE Accessory, screwlock with nut and washes
	DRAWN Lisa.peng	07/31/07	
	CHECKED Mh.wang	07/31/07	
	CHECKED		
FOR MATERIALS AND FINISHES SEE NOTES	DRAWING FILE : DRAWING Desc\LI7D204182		SIZE DRAWING NO.
REMOVE SHARP EDGES	ANGLE OF PROJECTION		SCALE
DIMENSIONS			REV.
U.S. INCHES			A4 C LI7D204182X 1
METRIC MM			SCALE NONE SHEET 1 OF 1