

3M™ Textool™ Shrink DIP Sockets .070"



- For DIPs with .070" (1.78 mm) lead spacing
- Pin counts from 28 through 90 leads
- Lever actuated zero insertion force mechanism
- Socket contact point of .090" (2.29 mm) below top surface of socket

Date Modified: September 14, 2012

TS-0366-B
Sheet 1 of 2

Physical

Insulation

Material: Glass Filled Polysulfone

Flammability: UL 94V-0

Color: Green

Marking: 3M Logo & Part Number Identifier

Contact:

Material: Beryllium Copper

Plating: Gold Flash over 50 μ " [1.3 μ m] Nickel

Electrical

Current Rating: 1 Amp

Insulation Resistance: 10^3 M Ω min. at 500 Vdc

Withstanding Voltage: 1000 Vrms at Sea Level

Environmental

Temperature Rating: -55°C to +125°C

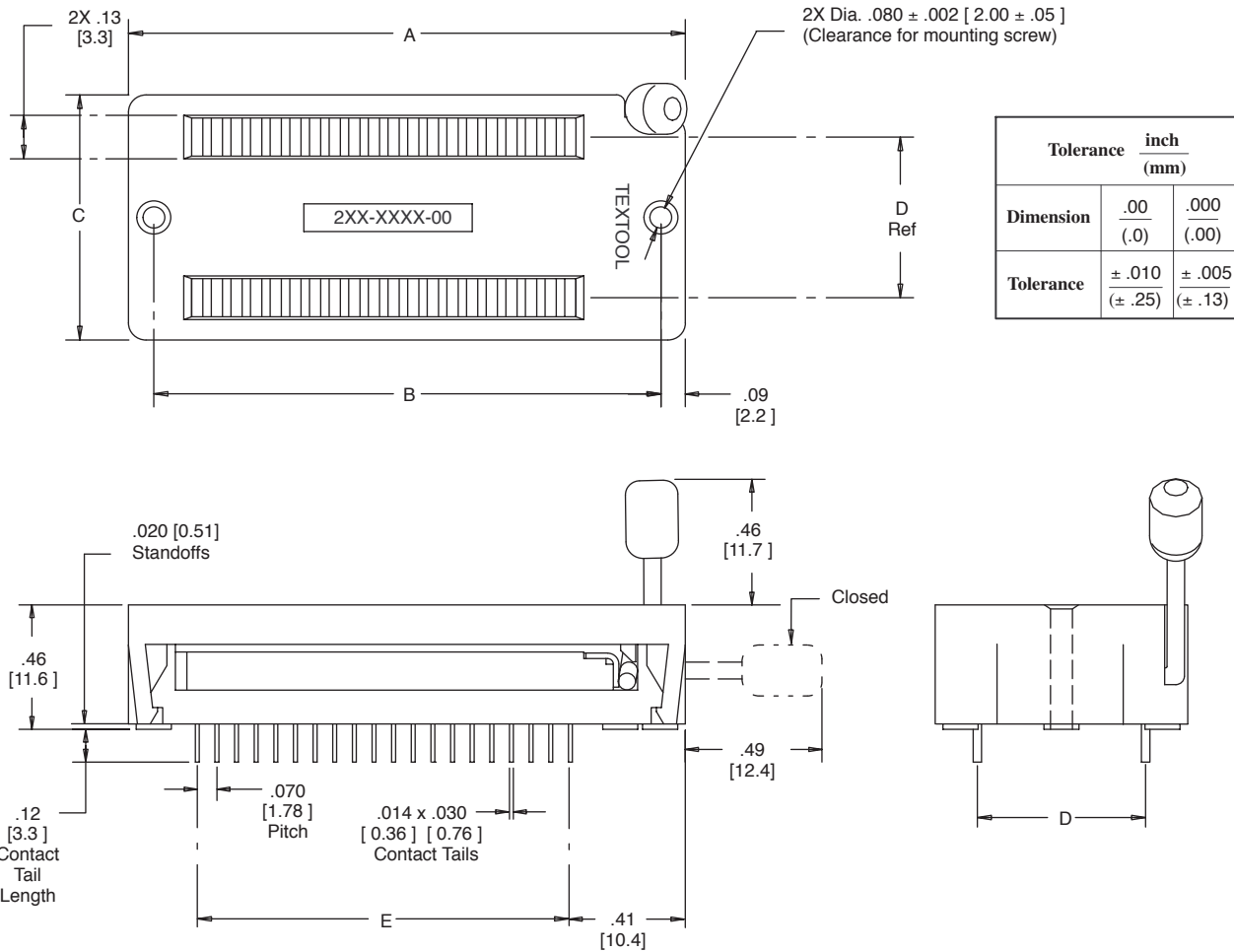
Mechanical

When used as a test socket at room temperature 24°C the socket will last 20,000 actuations.

3M™ Textool™ Shrink DIP Sockets

.070"

Dimensions					
Contact Quantity	A	B	C	D	E
28	1.60 [40.5]	1.42 [36.1]	.70 [17.8]	.40 [10.16]	.91 [23.14]
32	1.73 [44.0]	1.56 [39.6]	.70 [17.8]	.40 [10.16]	1.05 [26.67]
42	2.10 [52.9]	1.90 [48.5]	.90 [22.9]	.60 [15.24]	1.40 [35.60]
56	2.57 [65.4]	2.40 [61.0]	.90 [22.9]	.60 [15.24]	1.89 [48.01]
64	2.90 [72.5]	2.68 [68.0]	1.10 [28.3]	.80 [20.70]	2.20 [55.18]
90	3.77 [95.7]	3.59 [91.3]	1.23 [31.3]	.90 [22.86]	3.08 [78.32]



Ordering Information

Socket Part Number	Contact Quantity	Mating Receptacle Part Number
228-1290-00-0602J	28	228-1290-XX-0602J
232-1291-00-0602J	32	NOT AVAILABLE
242-1293-00-0602J	42	242-1293-XX-0602J
264-1300-00-0602J	64	264-1300-XX-0602J
256-1292-00-0602J	56	NOT AVAILABLE
① 290-1294-00-3302J	90	290-1294-XX-0602J

① Note: This socket is available only in black polyetherimide plastic.

Contact Tail Length:
 XX = 09 Solder Tail w/ flanges
 = 29 Solder Tail w/out flanges

TS-0366-B
 Sheet 2 of 2

Important Notice

All statements, technical information, and recommendations related to 3M's products are based on information believed to be reliable, but the accuracy or completeness is not guaranteed. Before using this product, you must evaluate it and determine if it is suitable for your intended application. You assume all risks and liability associated with such use. Any statements related to the product which are not contained in 3M's current publications, or any contrary statements contained on your purchase order shall have no force or effect unless expressly agreed upon, in writing, by an authorized officer of 3M.

Warranty; Limited Remedy; Limited Liability.

This product will be free from defects in material and manufacture for a period of one (1) year from the time of purchase. **3M MAKES NO OTHER WARRANTIES INCLUDING, BUT NOT LIMITED TO, ANY IMPLIED WARRANTY OF MERCHANTABILITY OR FITNESS FOR A PARTICULAR PURPOSE.** If this product is defective within the warranty period stated above, your exclusive remedy shall be, at 3M's option, to replace or repair the 3M product or refund the purchase price of the 3M product. **Except where prohibited by law, 3M will not be liable for any indirect, special, incidental or consequential loss or damage arising from this 3M product, regardless of the legal theory asserted.**

**3M Electronics Solutions Division**

6801 River Place Blvd.
Austin, TX 78726-9000
U.S.A.
1-800-225-5373
www.3Mconnectors.com

Please recycle. Printed in USA.
© 3M 2012. All rights reserved.
RIA-2217B-E

3M and Textool are trademarks of 3M Company.