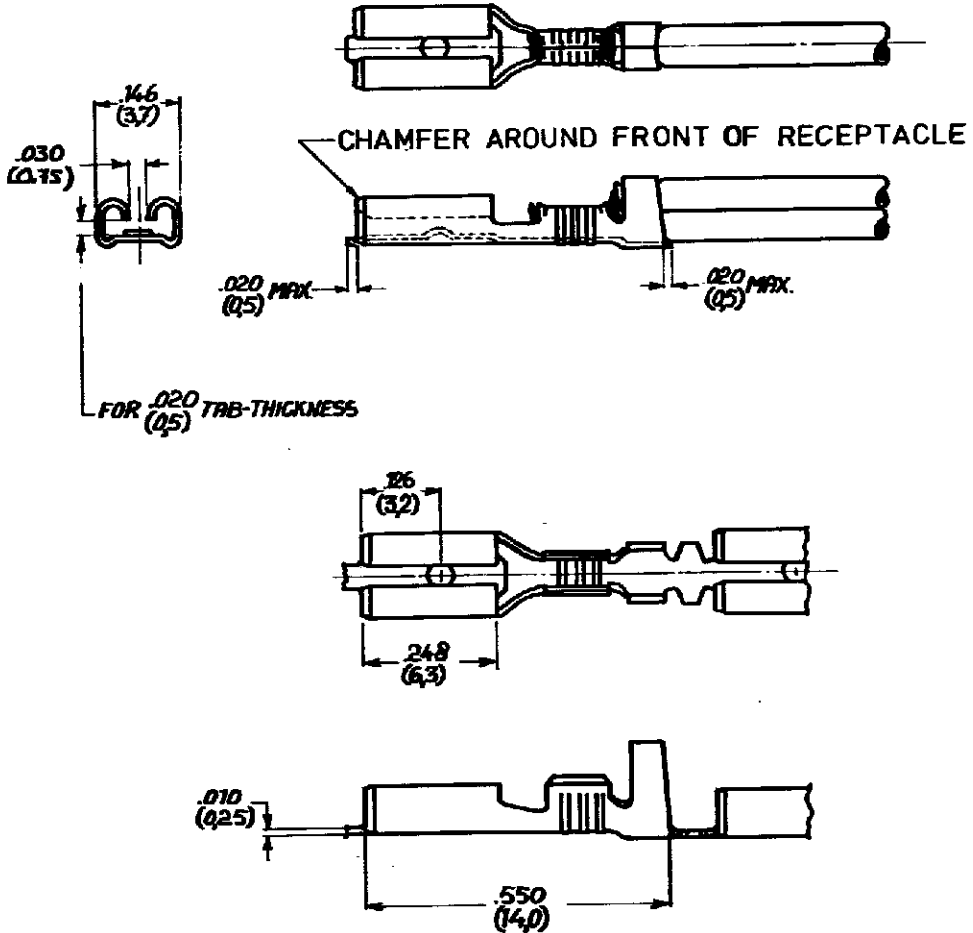


DRAWING MADE IN AMERICAN PROJECTION		LTR.	REVISION RECORD	DR.	CHK.	DATE
		F1	ECO-09-026346	KK	AEG	25NOV09

NUMBER C-160533



1-160533-0	PHOS. BRONZE	1
160533-9	PHOSPHOR BRONZE	PRE-TIN
160533-5	PHOS. BRONZE	TIN
160533-4	PHOS. BRONZE	
160533-3	BRASS	SILVER
160533-2	BRASS	TIN
160533-1	BRASS	

▲ BRIGHT PRE-TINPLATED
 ▲ OBSOLETE PARTS: OBSOLETE CIS STREAMLINING PER D.RENAUD/D.SINISI

CUSTOMER COPY FOR REFERENCE ONLY

©1975 BY AMP-HOLLAND N.V. ALL RIGHTS RESERVED A-MP PRODUCTS COVERED BY PATENTS AND/OR PATENTS PENDING.



AMP-HOLLAND N.V.
 3-MERTOGENBOSCH HOLLAND

WIRE RANGE 06-10 20 AWG	INSUL. RANGE 080-110 DIA 25-25.5 P	FIRST USED
SCALE 4 ≈ 1	LOC H	SIZE A
NO C-160533		REV F1

DIMENSIONS IN (IN) DO NOT SCALE PRINT

ORDER NO.	MATERIAL	PLATING
DATE 3-79	DATE 2-2-84	DATE 2-2-84

NAME 110 Ser. FASTON RECEPTACLE