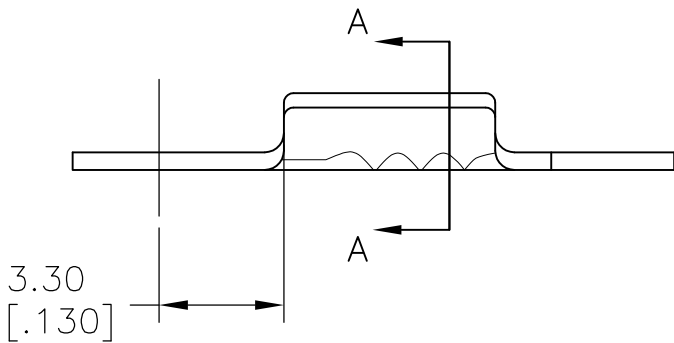
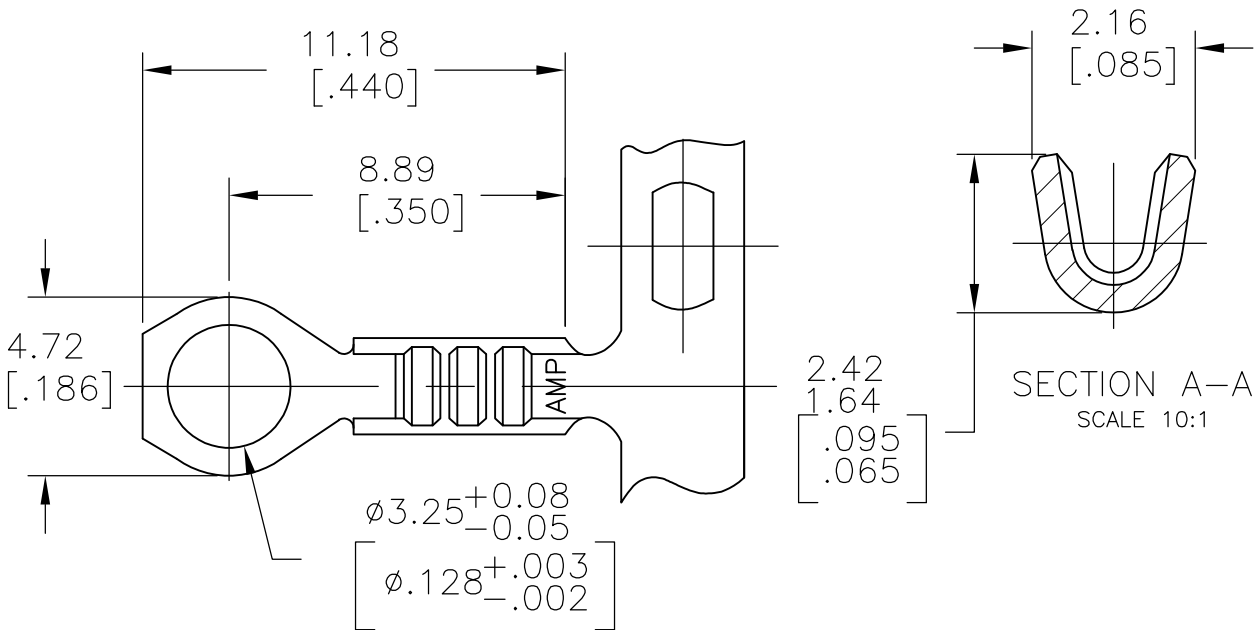


LOC	DIST	REVISIONS					
AF	50	P	LTR	DESCRIPTION	DATE	DWN	APVD
		A1		REVISED PER ECR-10-019776	22OCT10	HMR	PD

- 1 TO BE REELED FOR USE IN MINI-APPLICATOR
- 2 CONTINUOUS STRIP ON REELS
- 3 WIRE RANGE: TINSEL WIRE
- 4 INSULATION RANGE: #.035-.030



OBSOLETE	640189-2
	640189-1
PART NUMBER	

THIS DRAWING IS UNPUBLISHED.

ALL INTERNATIONAL RIGHTS RESERVED.

COPYRIGHT - BY TYCO ELECTRONICS CORPORATION.

DIMENSIONS: mm [INCHES]	DWN	RAGHAVENDRA	22OCT10	MATERIAL	.014 BRASS	FINISH	-1 TIN -2 GOLD
	CHK	DESANTIS PETER	22OCT10	Tyco Electronics Corporation Harrisburg, PA 17105-3608			
TOLERANCES UNLESS OTHERWISE SPECIFIED:	APVD	DESANTIS PETER	22OCT10				
0 PLC ± -	PRODUCT SPEC	-		NAME	RING		
1 PLC ± -	APPLICATION SPEC	-		SIZE	CAGE CODE	DRAWING NO	RESTRICTED TO
2 PLC ± -				A4	00779	C-640189	-
3 PLC ± .015	WEIGHT	-		CUSTOMER DRAWING			SCALE
4 PLC ± -							4:1
ANGLES ±							SHEET
							1 OF 1
							REV
							A1