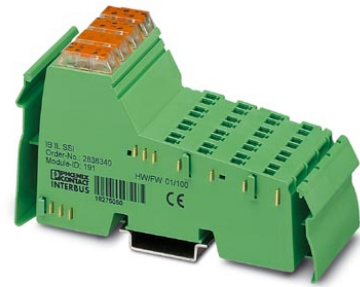



## IB IL SSI

Order No.: 2836340

<http://eshop.phoenixcontact.de/phoenix/treeViewClick.do?UID=2836340>

Inline positioning terminal, without accessories, 1 absolute encoder input, 4 digital inputs 24 V DC, 4 digital outputs 24 V DC, 500 mA, 3-wire connection method

### Commercial data

GTIN (EAN)	
sales group	K413
Pack	1 pcs.
Customs tariff	85389091
Catalog page information	Page 95 (AX-2007)

### Product notes

WEEE/RoHS-compliant since:  
03/12/2007



<http://www.download.phoenixcontact.com>  
Please note that the data given here has been taken from the online catalog. For comprehensive information and data, please refer to the user documentation. The General Terms and Conditions of Use apply to Internet downloads.

### Product description

The Inline absolute and incremental encoder terminals provide a simple solution for the positioning of drives.

The IB IL SSI terminal can be used for the connection of absolute encoders (single-turn or multi-turn). The IB IL INC terminal can be used for the evaluation of incremental encoders (symmetrical or asymmetrical encoders). Both terminals supply 5 V DC and 24 V DC for the connection of encoders and have four 24 V DC digital inputs and four 24 V DC digital outputs, 500 mA.

The digital inputs connect limit switches and reference mark switches; the digital outputs set the transversing direction and the transversing rate using control data.

The terminals are configured and parameterized via INTERBUS. The desired position values can then be set via the control program. If the application allows it, position values can also be saved individually. The module accesses these

values independently after a request. The module constantly monitors the homing and sends status messages to the control system. When an error occurs, the drive is immediately stopped.

The Inline positioning terminals can be labeled using hinged labeling fields. The fields have insert cards that can be labeled individually to suit the application. Additionally, there is the ZB-FM-6... Zack strip for labeling the terminal points.

## Technical data

### Interfaces

Interface	Inline local bus
Type of connection	Inline data jumper

### Power supply

I/O voltage	24 V DC (via voltage jumper)
Peripherals voltage range	19.2 V DC ... 30 V DC
Encoder supply voltage	5 V DC
	24 V DC
Encoder supply current	500 mA
	500 mA
Drawing encoder supply voltage	Main circuit $U_M$

### Electrical isolation

Test section	5 V supply, incoming remote bus/7.5 V supply (bus logics) 500 V AC 50 Hz 1 min
	5 V supply, outgoing remote bus/7.5 V supply (bus logics) 500 V AC 50 Hz 1 min
	7.5 V supply (bus logics)/24 V supply (I/O) 500 V AC 50 Hz 1 min
	7.5 V supply (bus logics) / functional earth ground of encoder supply 500 V AC 50 Hz 1 min
	24 V supply (I/O) / functional earth ground 500 V AC 50 Hz 1 min
	24 V supply (I/O) / functional earth ground of encoder supply 500 V AC 50 Hz 1 min
	Functional earth ground of encoder supply / Functional earth ground 500 V AC 50 Hz 1 min

### Absolute encoder input

Number of inputs	1
Adjustable resolution	26 Bit (maximum)
Transmission frequency	400 kHz

### Inputs

Number of inputs	4
------------------	---

Connection method	3-conductor
Input voltage	24 V DC

**Outputs**

Number of outputs	4
Connection method	3-conductor (shielded)

**General data**

Weight	130 g
Number of connectors	1
Width	48.8 mm
Height	119.8 mm
Depth	71.5 mm

**Inline potential routing**

Communications power $U_L$	7.5 V DC (via voltage jumper)
Current consumption from $U_L$	60 mA (maximum)
Main circuit supply $U_M$	24 V DC (via voltage jumper)
Current consumption from $U_M$	1 A (via voltage jumper)
Segment supply voltage $U_S$	24 V DC (via voltage jumper)
Current consumption from $U_S$	2 A (maximum)
Current consumption from $U_{ANA}$	0 A DC

**Certificates / Approvals**



Certification

CUL, GOST, UL

**Accessories**

Item	Designation	Description
------	-------------	-------------

**Literature**

2698452	IB IL SSI UM	User Manual, German, for Inline positioning terminals
2698465	IB IL SSI UM E	User Manual, English, for Inline positioning terminals

**Marking**

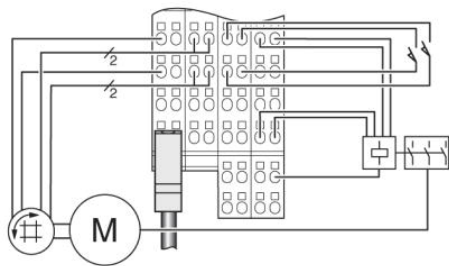
0809492	ESL 62X10	Insert strip for laser printer, lettering field: 62 x 10 mm
0809502	ESL 62X46	Insert strip for laser printer, lettering field: 62 x 46 mm
2727501	IB IL FIELD 2	Labeling field, width: 12.2 mm
2727515	IB IL FIELD 8	Labeling field, width: 48.8 mm

**Plug/Adapter**

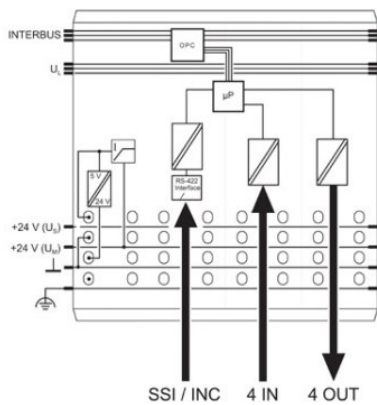
2732473	IB IL SSI/INC-PLSET	Connector set
---------	---------------------	---------------

**Diagrams/Drawings**

Connection diagram

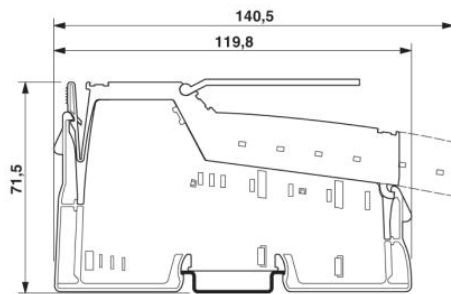


Block diagram



Dimensioned drawing

---



## FAQs

- **Information on incremental value**

With module IB IL SSI, the incremental value can be defined with the command A000 0000 (hex) (see chapter 5.9 of the manual). The complete command is as follows: OUT [0] 1010 00zz zzzz zzzz = Command + Data OUT [1] nnnn nnnn nnnn nnnn = Data z = the counter of incremental value n = the denominator for the incremental value **IMPORTANT:** The fraction resulting from numerator and denominator must always be less than or equal to 1!

**Address**

PHOENIX CONTACT Deutschland GmbH  
Flachmarktstr. 8  
32825 Blomberg, Germany  
Phone +49 5235 3 12000  
Fax +49 5235 3 41200  
<http://www.phoenixcontact.de>



© 2011 Phoenix Contact  
Technical modifications reserved;