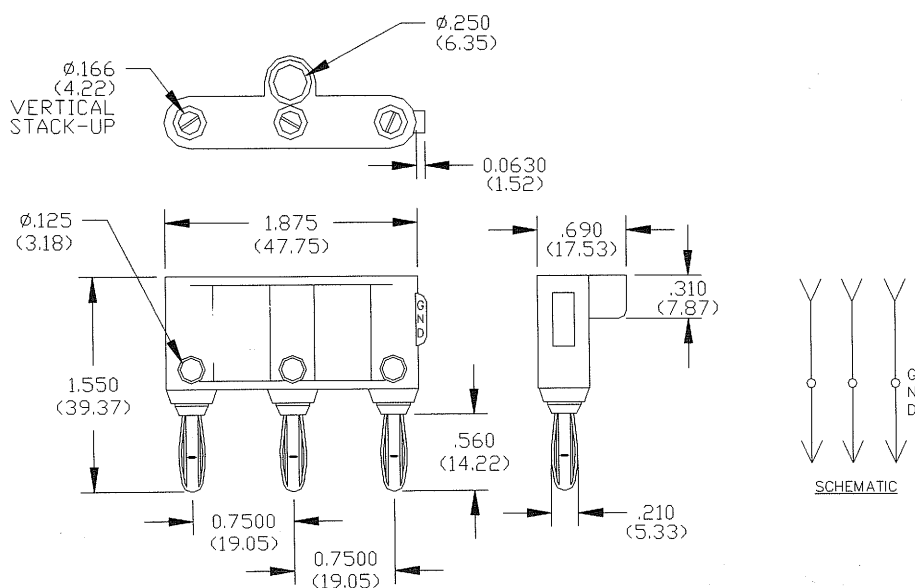


MUELLER®

MODEL: BU-P2970-*

Triple Banana Plug Connector (Female to Male)



Used to connect standard 4mm Banana Plugs

Standard colors: {-0 = Black, -2 = Red}

MATERIALS:

Connector – Nickel Plated Brass

Insulator – Polypropylene

RATING:

Current: 15 Amps

Voltage: Hands free testing to 1000 VMRS Max.

Temperature: -50°C to 115°C