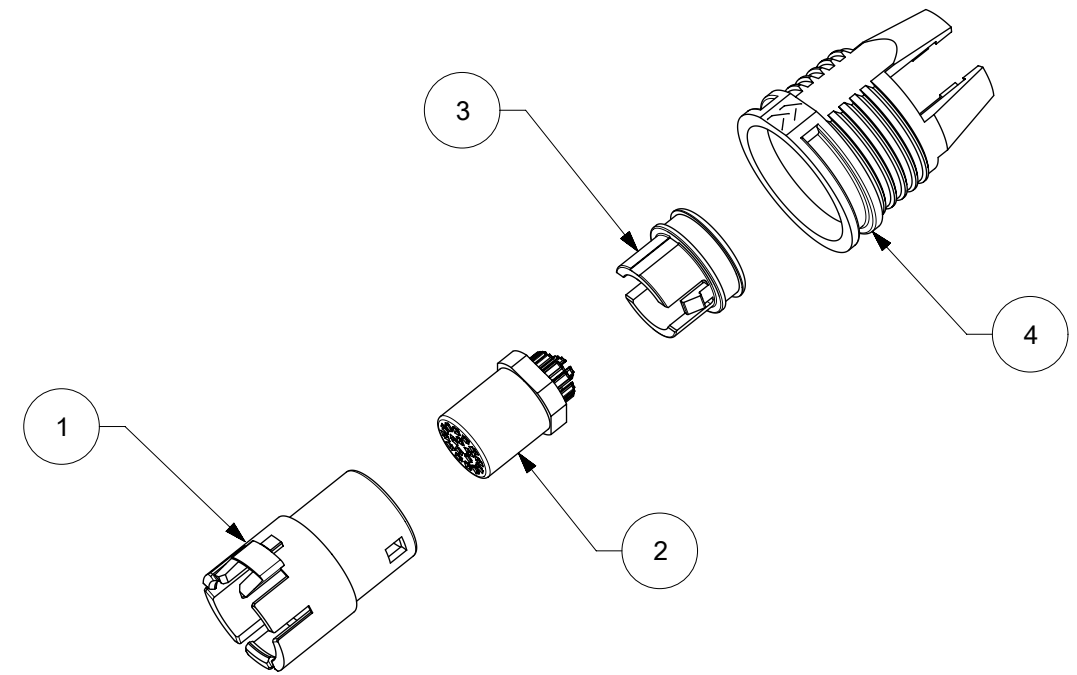
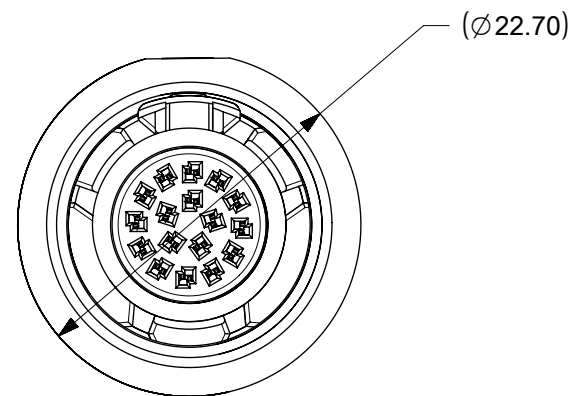
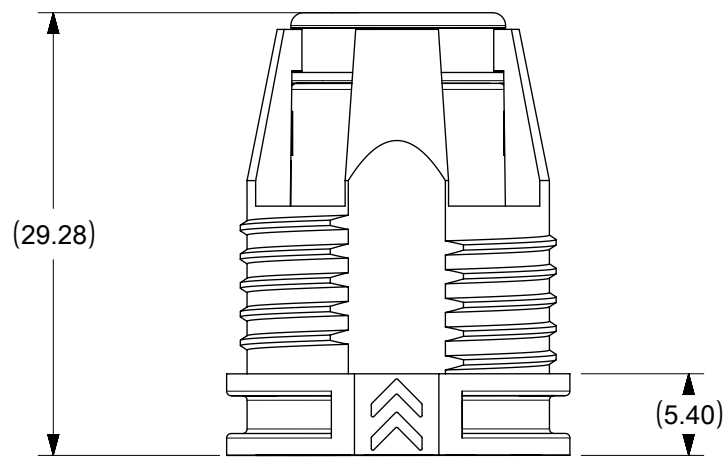


ITEM NUMBER	P/N	DESCRIPTION	QTY	SPQ
1	1723453010	MPC D2 FEMALE PANEL MOUNT HOUSING	1	10
2	1723442000	MPC D2 FEMALE RETAINER 17CKT	1	10
3	1723461000	MPC D2 FEMALE LOCK HOUSING	1	10
4	1723498001	MPC D2 PANEL SNAP HOUSING	1	10



NOTES:

1. KIT TO BE PACKAGED PER SPEC PK-70873-3344
2. MATERIAL, MEDICAL GRADE PPSU; COLOR, BLACK  
HIGH PERFORMANCE COPPER ALLOY WITHY GOLD PLATING IN MATING ZONE.
3. MATES WITH KIT P/N 202112-1710 OR 202113-1710.
4. FOR ASSEMBLY AND OVERMOLD INFORMATION SEE APPLICATION SPEC AS-202110-0000.
5. FOR FURTHER PRODUCT INFORMATION SEE PRODUCT SPEC PS-202110-0000

THIS DRAWING CONTAINS INFORMATION THAT IS PROPRIETARY TO MOLEX ELECTRONIC TECHNOLOGIES, LLC AND SHOULD NOT BE USED WITHOUT WRITTEN PERMISSION

EC NO: 114244 DRWN: JJONIAK CHKD: APPR: BPISZCZOR	2017/03/07 2017/03/14	GENERAL TOLERANCES (UNLESS SPECIFIED)		DIMENSION UNITS	SCALE	<b>molex</b> <sup>®</sup>			
		ANGULAR TOL ± °		MM	2:1				
		4 PLACES ±		DRWN BY	DATE	MPC D2 SHROUDED 17CKT FEMALE ASSY KIT			
		3 PLACES ±		JJONIAK	2017/03/07				
2 PLACES ±		CHK'D BY	DATE	PRODUCT CUSTOMER DRAWING					
1 PLACE ±		BPISZCZOR	2017/03/14						
0 PLACES ±		APPR BY	DATE	SERIES	MATERIAL NUMBER	CUSTOMER			
DRAFT WHERE APPLICABLE MUST REMAIN WITHIN DIMENSIONS		DRAWING SIZE	THIRD ANGLE PROJECTION	202400	2024001710	GENERAL MARKET			
A	REV	B		DOCUMENT NUMBER		DOC TYPE	DOC PART	SHEET NUMBER	
				2024001710-SD		PSD	000	1 OF 1	

RELEASE STATUS	P1	RELEASE DATE	14.03.2017	16:40:57
----------------	----	--------------	------------	----------