

- NOTES:
- Materials:
 - A. Housing: Thermoplastic Polyester, glass filled Rated UL 94V-0, Color: Gray
 - B. Contact: Copper Alloy, Gold plating
 - Finish:
 - Mating area--0,76µm min. Gold over 1,27µm min. Nickel
 - Compliant pin area --0,5µm min matte Tin over 1,27µm min. Nickel
 - Ratings:
 - A. Voltage(Test voltage): 80V r.m.s.
 - B. Current rating:
 - Signal and Signal GND Conductor 0.625A/pin
 - Power branch GND Conductor 11.625A/pin with derating of IEC 60512
 - C. Maximum line resistances:
 - Signal and Signal GND Conductor 25milli Ohms
 - Power branch GND Conductor 5 milli Ohms
 - Engaging force: 145N max.
Separating force: 110N max.
 - Durability: 200 mating cycles
 - Used Press Fit tool: 36-000070
 - Plated through-hole cross section see sheet 2
 - Connector is part marked: **47-100001 CONEC ABC**

Directive 2002/95/EC RoHS compliant

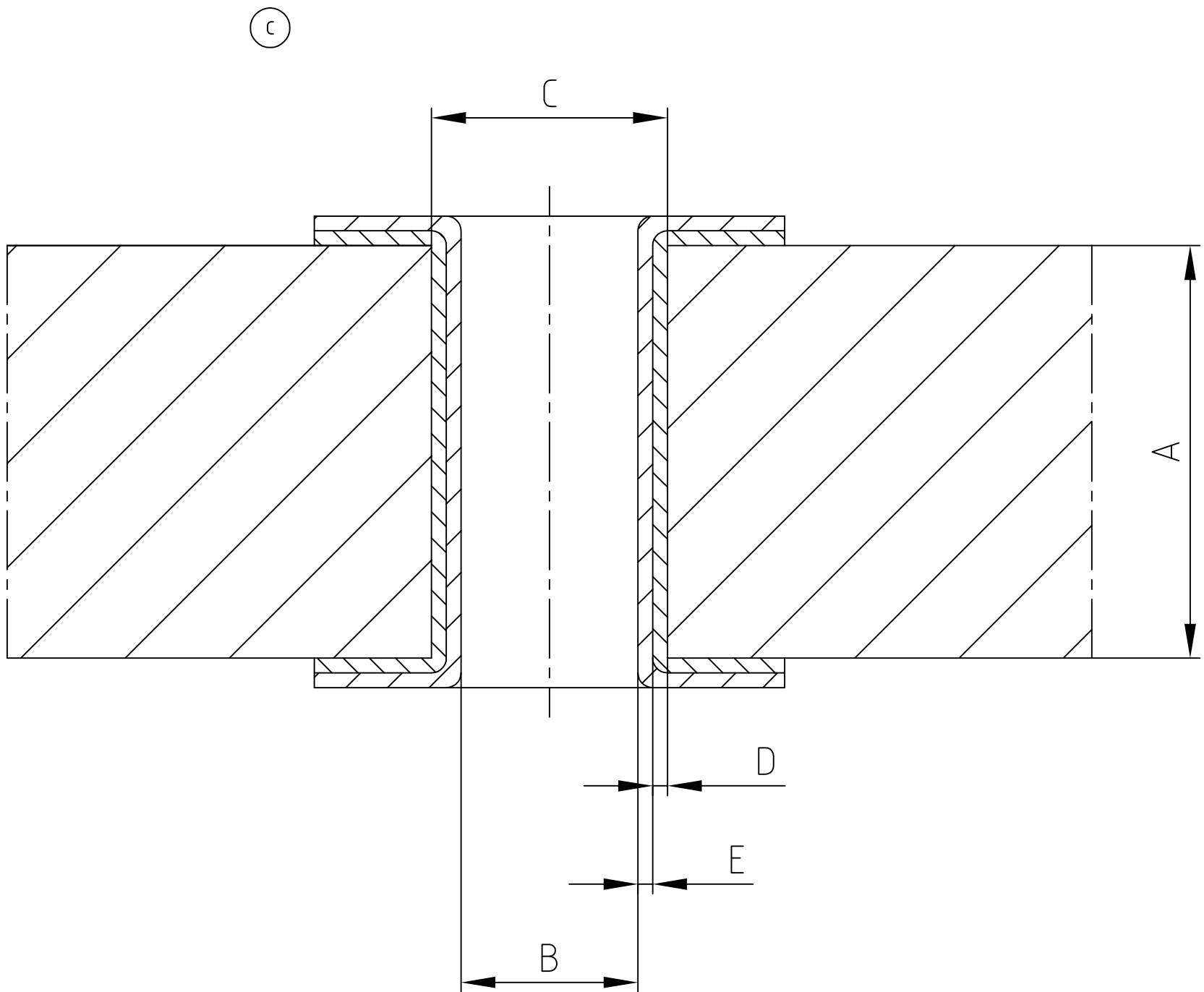
THIS DRAWING MAY NOT BE COPIED OR REPRODUCED IN ANY WAY, AND MAY NOT BE PASSED ON TO A THIRD PARTY WITHOUT WRITTEN PERMISSION. OWNERSHIP AND COPYRIGHT OF CONEC GmbH DO NOT ALTER CAD DRAWING BY HAND

tolerance		scale: 2:1	
.X ± 0.25	X° ± 2°	material: SEE NOTES	
.XX ± 0.15	.X° ± 1°	title: MicroTCA POWER CONNECTOR BACKPLANE VERSION	
dim. in mm		dwg no: 47K1A00002	
2008	date	name	
drawn	11.04.	Lehmenkühler	
appd.	11.04.	Kühle	
1 x d	Ä 3850	21.12.2010	Lehmen, norm
1 x c	Ä 3374	18.06.2009	HS d-old
1 x b	Ä 3039	18.06.2008	Petker
a	Origin		
rev.	description	date	name



part no: 47-100001	DIN-A 3 sh:1/2
--------------------	----------------

		Dimensions
A	PCB Thickness	Minimum 1.4mm
B	Plated Through Hole Diameter	0.60 ±0.05mm
C	Drill Hole Diameter	0.70 ±0.02mm
D	Cu Thickness	Minimum 25µm
E	Plating Thickness	Minimum 0.5µm Immersion Sn



PLATED THROUGH-HOLE CROSS SECTION

APPROVAL # FREIGABE # DEBLOCAGE # AUTORIZACION # APPROVAL	
CUSTOMER APPROVAL DATE:	
NAME:	TITLE:
COMPANY NAME:	
APPROVAL # FREIGABE # DEBLOCAGE # AUTORIZACION # APPROVAL	

THIS DRAWING MAY NOT BE COPIED OR REPRODUCED IN ANY WAY, AND MAY NOT BE PASSED ON TO A THIRD PARTY WITHOUT WRITTEN PERMISSION.
OWNERSHIP AND COPYRIGHT OF CONEC GmbH
DO NOT ALTER CAD DRAWING BY HAND

rev.	description	date	name
1 x c	Ä 3374	18.06.09	HS
a	Origin		

tolerance		dim. in mm	
2008	date	name	
drawn	11.04.	Lehmenkühler	
appd.	11.04.	Kühle	
norm			
d-old			



scale:	SEE SHEET 1
material:	SEE SHEET 1
title: PLATED THROUGH-HOLE CROSS SECTION MicroTCA POWER CONN. BACKPLANE VERSION	
dwg no:	AutoCAD 2006
	DIN-A
	3
	sh:2/2
part no:	SEE SHEET 1